



Forevermark
cabinetry™



GREENGUARD GOLD CERTIFIED

from UL Environment

Forevermark Cabinetry is proud to further demonstrate our commitment to the well-being of our customers by offering select lines with UL Environment's GREENGUARD GOLD certification.

The GREENGUARD Certification Program (formerly known as GREENGUARD Indoor Air Quality Certification) gives assurance that products designed for use in indoor spaces meet strict chemical emissions limits, which contribute to the creation of healthier interiors. GREENGUARD Gold Certification (formerly known as GREENGUARD Children & Schools Certification) offers stricter certification criteria, considers safety factors to account for sensitive individuals (such as children and the elderly), and ensures that a product is acceptable for use in environments such as schools and healthcare facilities. It is referenced by both The Collaborative for High Performance Schools (CHPS) and the Leadership in Energy and Environmental Design (LEED) Building Rating System.

What is UL Environment, and what is the GREENGUARD Certification Program?

UL is a global independent safety science company with more than a century of expertise innovating safety solutions from the public adoption of electricity to new breakthroughs in sustainability, renewable energy and nanotechnology. GREENGUARD Certification is part of UL Environment, a business unit of UL (Underwriters Laboratories). GREENGUARD Certification helps manufacturers create—and helps buyers identify—interior products and materials that have low chemical emissions, improving the quality of the air in which the products are used.

GREENGUARD Certification standards have established performance-based standards to define products and processes with low chemical and particle emissions for use indoors. The standards establish certification procedures including test methods, allowable emission levels, product sample collection and handling, testing type and frequency as well as program application processes, toxicity limits and acceptance.

GREENGUARD Certification strives to protect human health and quality of life by establishing standards and certification programs to reduce exposure to chemicals and to improve indoor air quality. The GREENGUARD standards are among the most stringent indoor air quality standards in the world, and they are based on available standards and guidelines from national and international public health agencies.

What does GREENGUARD certification do?

Volatile organic compounds (VOCs) are chemicals that are released into the air from everyday furnishings, building materials and products—items like office furniture, flooring, wall coverings and cleaners. Once airborne, VOCs can easily be inhaled by building occupants and trigger a number of health problems.

The GREENGUARD Certification mark communicates that representative samples of a product have undergone rigorous scientific testing to meet some of the world's most stringent chemical emissions requirements. This certification helps reduce indoor air pollution and the potential for airborne chemical exposure.

The GREENGUARD Certification standard addresses the needs of the commercial building industry, focusing on products like building materials, seating, and systems furniture. This standard screens for more than 10,000 chemicals and places stringent limits on over 360 VOCs, including formaldehyde. All UL Environment's GREENGUARD standards also include a maximum allowable TVOC level, or "cap" on the level of all VOCs combined, to account for a product's total emissions.

GREENGUARD GOLD CERTIFIED CONTINUED...

How can GREENGUARD Certification help your business?

Demand for low-emitting products has increased significantly during the past decade. The GREENGUARD Certification program gives you the opportunity to appeal to this growing market by demonstrating that our products contribute to the health and well-being of building occupants.

What else can GREENGUARD Certification be used for?

GREENGUARD Certification is recognized and referenced in numerous building programs, standards and specifications around the world. Products with GREENGUARD Certification or GREENGUARD Gold Certification can contribute to the achievement of points in established green building rating systems, satisfy code or ordinance criteria and meet indoor air quality specific RFP requirements.

The scientific rigor of the GREENGUARD Certification program, combined with more than a decade of educational marketing and outreach initiatives, has made UL Environment's GREENGUARD mark the most recognized eco-label among architects and designers (second only to the Leadership in Energy and Environmental Design (LEED) Rating System). In fact, more than 460 sustainable codes, standards, specifications, and procurements guidelines documents—such as LEED®, Collaborative for High Performance Schools (CHPS), and the International Green Construction Code (IgCC)—recognize, recommend, or require the use of GREENGUARD Certified products.

This standard is designed to define low-emitting materials suitable for environments where people, particularly children and sensitive adults, spend extended periods of time, in particular schools and healthcare facilities.

The above information can be found on greenguard.org. For more consumer information, visit <http://greenguard.org/en/consumers.aspx>



Lines with GREENGUARD GOLD Certification: AW, AP, GW, SL, SB, AN, TG

WATERBORNE UV FINISHES

Forevermark Cabinetry features the use of waterborne UV finishes furnished by Sherwin-Williams on certain door styles.* The benefits of waterborne UV finishes include superior scratch resistance, low VOCs, finishes that are formaldehyde-hazard free, and reduction in environmental impact.

Forevermark Cabinetry is proud to offer products manufactured using Sherwin-Williams coatings as part of our goal to offer high performance products designed and manufactured taking steps to reduce environmental impact and meet or exceed the most stringent regulatory requirements.

You can be sure that the solutions you're choosing satisfy the highest standards for performance, while meeting or exceeding regulatory requirements. Which means you'll never have to choose between the best coatings for the environment and the best coatings for delivering a quality look that lasts.



*Waterborne UV finish: AW, SL, GW

*Waterborne UV finish by Sherwin-Williams®: AP, SB, AN, TG

FOREST STEWARDSHIP COUNCIL® CERTIFIED

Forevermark Cabinetry is proud to offer select products with raw materials that are Forest Stewardship Council® (FSC) certified through its supplier. The FSC® is an independent, non-profit organization that protects forests for future generations, and is the only system supported by groups such as WWF, Sierra Club, Greenpeace, Natural Resources Defense Council, and National Wildlife Federation. The FSC® protects water quality, prohibits highly hazardous chemicals, restricts deforestation, protects customary rights of indigenous people and local communities, prevents loss of natural forest cover, protects high conservation value forests, and limits clearcuts to protect forest ecology.

By purchasing a FSC-certified product, customers can ensure that their product is coming from responsibly managed sources.

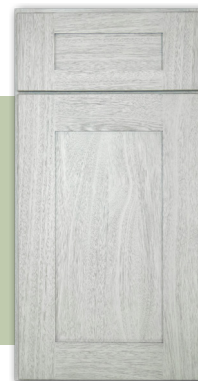


The mark of responsible forestry

NEW!

Eucalyptus Grandis is a consistent, premium hardwood material with the following benefits:

- **Durability - used often in high-end applications**
- **Sustainable & Eco-friendly**
- **High level of dimensional stability**
- **Exceptionally versatile**
- **Superior grain consistency**



AN



TG

* Applicable to Nova Light Grey Shaker (AN) and Midtown Grey (TG) (raw materials only)

LIMITED WARRANTY INFORMATION

The Shekia Group, LLC d/b/a TSG, LLC ("TSG") warrants its Forevermark Cabinetry products to be free of manufacturer defects that are avoidable, and unnatural defects in material and workmanship under normal use, for five (5) years from the date of purchase by the original consumer purchaser (except for cabinets with painted finishes, which are limited to a two (2) year warranty). This limited liability warranty applies to residential use only at the original site of installation only. This limited liability warranty is non-transferable.

This limited liability warranty does not cover or apply to any defect that is not caused by TSG. This warranty does not cover or apply to products that have been misused; mishandled; abused; improperly stored or installed; modified; or subject to excesses of moisture or extreme temperatures, abrasive or citrus cleaning products, neglect, transit damage, assembly, disassembly, intentional damage, accidents, negligence, on-site alterations, improper storage, defective installation or normal wear and tear. Any modification to the hardware structure or finish of the original consumer purchaser's cabinetry by anyone other than those specifically authorized by TSG to do so shall void this limited liability warranty. The product must be used exclusively for its intended purpose in order to be covered by this limited liability warranty. This limited liability warranty shall become void if the cabinets or any components or parts thereof are in any way modified, improperly installed or damaged prior to or during installation, or installed or used in other than normal residential applications.

This limited liability warranty does not include or cover the cost of installation, removal, subsequent damage or transportation of the allegedly defective product, regardless of whether work was performed by a contractor, a service company or the original consumer purchaser. This limited liability warranty does not apply to any products used in conjunction with the cabinetry, including but not limited to countertops, appliances or plumbing fixtures. Use of cabinetry or any components or parts thereof in any way contrary to any instructions furnished by TSG shall void this limited liability warranty.

TSG's obligation under this limited liability warranty shall be limited to the repair or replacement, at its sole discretion, of any cabinetry or any components or parts thereof that TSG deems proven defective under normal use and service within the warranty period. This limited liability warranty is limited to the repair or replacement of the allegedly defective cabinetry or components or parts thereof, and does not include or cover any other costs, including but not limited to any costs of service, labor, shipment, transportation, removal or installation related to the repair or replacement.

Forevermark Cabinetry cabinets are constructed from several pieces of solid wood and wood veneers on plywood. Differences in grain pattern and color should be expected. Wood characteristics that naturally occur, such as variations in color, grain, mineral streaks and knots, are not considered defects. Color variations and color softening in cabinets are a natural occurrence due to species, age, character of cabinets and exposure to UV light and sunlight. For these reasons, replacement cabinets may not match display samples and/or the existing cabinets in the original consumer purchaser's home. Such variations and changes are not considered defects. This limited liability warranty applies only to defects, and does not apply to the yellowing and aging of any wood product. Forevermark Cabinetry products are wood products, and extreme conditions (high/low humidity, temperature, etc.) will cause any wood product to respond adversely. Accordingly, this limited liability warranty does not apply to cabinetry exposed to extreme conditions. Please note that newly produced cabinets will never be the same color as aged cabinets. TSG reserves the right to inspect any alleged defects in the field to determine if the product should be repaired in the field or in the factory, or replaced, if at all.

Mitered door joints in particular are likely to react to conditions of their environment. Gaps that may develop in door joints due to conditions of their environment are not included or covered by this limited liability warranty. This limited liability warranty does not cover or apply to hairline cracks of cabinetry; hairline cracks are unavoidable in wood cabinets given the nature of the material. Every species and grade of solid wood behaves in such a way as to eventually result in hairline cracks. Painted finishes react differently than stained finish with normal wood movement, and climatic conditions may result in breaks in finish, recesses and joint and panel lines. These conditions are considered a normal occurrence and are not included or covered by this limited liability warranty. Cabinet doors that are warped must be allowed to hang through one seasonal heating cycle (i.e., through a full summer) before replacement will be considered by TSG under this limited liability warranty. Doors that are warped in either direction not exceeding one-quarter inch (1/4") do not exceed normal material expectation and are not included or covered by this limited liability warranty.

TSG periodically makes changes to its product line and specifications. If a warranty claim is presented for a discontinued or unavailable cabinet or component or part thereof, TSG will replace the cabinet or component or part thereof under warranty with a new cabinet or component or part thereof of the same style or with a similar or comparable style currently offered by TSG. Some replacement cabinets and components and parts thereof are subject to availability, and may differ from those originally supplied. TSG is not responsible for replacement product that may not exactly match installed product, and is not obligated to inform original consumer purchasers of the discontinuance of or changes to product lines and specifications or to make similar changes in all products previously manufactured. Material changes are not a valid reason for an original consumer purchaser to refuse replacement under this limited liability warranty.

Warranty claims cannot be made directly to TSG by the original consumer purchaser. To submit a warranty claim, the original consumer purchaser must contact the dealer or distributor from whom the Forevermark Cabinetry products were purchased and report the nature of the alleged defect. The dealer or distributor will obtain the information necessary to make a claim decision, and forward such information in writing to TSG for TSG's consideration of the claim. If the dealer or distributor is no longer functioning as a business entity, please submit your claim in writing, with proof of purchase, to:

TSG / Forevermark Cabinetry, 1130 King Georges Post Road, Edison, NJ 08837

If a manufacturing defect occurs within this limited liability warranty's terms and conditions and TSG determines to replace the defective cabinet or component or part thereof, TSG will ship the replacement cabinet or component or part thereof to the original consumer purchaser via ground shipper or freight carrier, at TSG's sole discretion.

Please do not send the allegedly defective cabinet or component or part thereof to TSG, unless and until expressly requested to do so by our claims department. Pictures of cabinets or components or parts thereof may be requested by TSG. Making a fraudulent claim may be a crime, and violators may be prosecuted.

This limited liability warranty and its enforcement, and any and all claims or disputes arising out of, relating to or in connection with this limited liability warranty or the making, performance or interpretation of this limited liability warranty, shall be (1) governed by and construed exclusively in accordance with the laws of the State of New Jersey, without regard to the conflicts of law or choice of law principles of the State of New Jersey or any other jurisdiction (including but not limited to U.S. federal law) that would require the application of the law of any other jurisdiction, and (2) brought only in the United States District Court for the District of New Jersey or the New Jersey Superior Court, Middlesex County.

THIS WRITING IS THE COMPLETE AND EXCLUSIVE REMEDY FOR ANY ORIGINAL CONSUMER PURCHASER FOR BREACH OF WARRANTY. THE STATEMENT OF THE EXPRESS WARRANTIES PROVIDED HEREIN IS IN LIEU OF ANY AND ALL OTHER EXPRESS AND/OR STATUTORY WARRANTIES, TO THE EXTENT PROVIDED BY LAW. IN NO EVENT SHALL TSG BE LIABLE FOR INCIDENTAL OR CONSEQUENTIAL DAMAGES TO ANY ORIGINAL CONSUMER PURCHASER OR A THIRD PARTY, INCLUDING BUT NOT LIMITED TO DAMAGES ARISING FROM PERSONAL INJURY, LOST PROFITS, LOSS OF BUSINESS OPPORTUNITIES, LOSS OF PROPERTY, ECONOMIC LOSS, STATUTORY OR EXEMPLARY DAMAGES, WHETHER FROM NEGLIGENCE, WARRANTY, STRICT LIABILITY OR OTHERWISE. ANY AND ALL IMPLIED WARRANTIES OF MERCHANTABILITY, FITNESS FOR A PARTICULAR PURPOSE, COURSE OF DEALING AND USAGE OF TRADE, AND ANY AND ALL OTHER WARRANTIES, EXPRESS OR IMPLIED, ARE EXCLUDED AND DISCLAIMED, EXCEPTING ONLY THOSE EXPRESS WARRANTIES SPECIFICALLY SET FORTH IN THIS LIMITED LIABILITY WARRANTY. IN NO EVENT SHALL TSG BE LIABLE FOR ANY INDIRECT DAMAGES RESULTING FROM INSTALLATION, USE OR FAILURE OF ITS PRODUCTS. THIS LIMITED LIABILITY WARRANTY IS TSG'S SOLE WARRANTY, AND NO DEALER, DISTRIBUTOR OR AGENT POSSESSES ANY AUTHORITY WHATSOEVER TO MODIFY OR ENLARGE THIS WARRANTY IN ANY WAY.



1130 King Georges Post Road
Edison, NJ 08837
www.tsgcabinets.com

CABINET LINES – DOOR STYLES

K-SERIES COLLECTION



K-Cherry Glaze
(KC)

SILVER



K-Cinnamon Glaze
(KM)

SILVER



K-Espresso Glaze
(KE)

SILVER



K-WHITE
(KW)

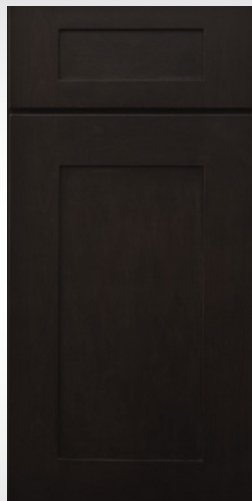
GOLD

SHAKER COLLECTION



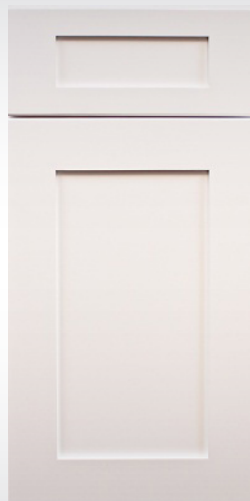
Shakertown
(AK)

GOLD



Pepper Shaker
(AP)

GOLD



Ice White Shaker
(AW)

GOLD



Greystone Shaker
(AG)

PLATINUM



Nova Light Grey Shaker
(AN)

TITANIUM



SIGNATURE COLLECTION



Signature Brownstone
(SB)

PLATINUM



Signature Pearl
(SL)

PLATINUM



Gramercy White
(GW)

PLATINUM



Sienna Rope
(MR)

PLATINUM

TOWN COLLECTION NEW!



Uptown White
(TW)

PLATINUM



Townsquare Grey
(TS)

PLATINUM



Midtown Grey
(TG)

TITANIUM

CABINET DETAILS*

	SILVER			GOLD					
	KC	KM	KE	KW	AK	AP	AW		
Material	Solid Birch			Solid Birch			MDF		
Style	Full Overlay, butt door			Full Overlay, butt door					
Wall & Base	Raised Square (5pc recessed drawer header)			Raised Square (5pc recessed drawer header)	Recess Square				
Front Frame	3/4" Solid Birch			3/4" Solid Birch					
Door Frame	3/4" Solid Birch			3/4" Solid Birch			MDF		
Door Center	MDF with birch veneer			MDF	MDF with birch veneer		MDF		
Sides (Wall & Base)	1/2" A-Grade plywood with wood veneer			1/2" A-Grade plywood with wood veneer					
Top & Bottom (Wall)				1/2" A-Grade plywood with wood veneer			3/8" A-Grade plywood with wood veneer		
Bottom (Base)							1/2" A-Grade plywood with wood veneer	3/8" A-Grade plywood with wood veneer	
Cabinet Interior	Matches door color			Matches door color					
Back Panel	1/2" Picture Frame recess style			1/2" Picture Frame recess style					
Hinges	**Concealed 6-way adjustable soft close door hinges			**Concealed 6-way adjustable soft close door hinges					
Connectors	Pre-installed, color coated metal clip, won't tarnish			Pre-installed, color coated metal clip, won't tarnish					
Shelves	3/4" A-Grade plywood with wood veneer			3/4" A-Grade plywood with wood veneer					
Drawer box	Solid Wood 5/8" sides			Solid Wood 5/8" sides	Solid Wood 17mm (close to 3/4" T)				
	Drawer bottom 1/2" plywood			Drawer bottom 1/2" plywood	Drawer bottom 3/8" plywood				
	Drawer length 21"			Drawer length 21"					
	Dovetail Construction			Dovetail Construction					
	Natural Finish			Natural finish					
Drawer Glides	**Undermount, Full extension with soft closing feature			Undermount, Full extension with soft closing feature					
Base Corner Supports	Wood corner brackets			Wood corner brackets	Wood corner brackets, with wood I-beam construction				

Specifications and availability of items are subject to change without notice and TSG is not responsible for printing errors

* No center stile on cabinetry 24" W to 36" W

** New incoming stock includes standard soft closing door hinges and soft closing glides. For an indeterminate transitional period, orders may include inventory with mixed specifications. Additional/replacement soft closing hinges will not be provided automatically, and are only available for purchase, upon request.

*** New incoming stock includes standard metal shelf clips. For an indeterminate transitional period, orders may include inventory with mixed specifications. Additional/replacement metal shelf clips will not be provided automatically, and are only available for purchase, upon request.



	PLATINUM						TITANIUM		
	MR	SB	GW	SL	TW	TS	AG	AN	TG
Material	Solid Birch						Solid Eucalyptus Grandis		
Style	Full Overlay, butt door								
Wall & Base	Raised Square				Recessed Square				
Front Frame	3/4" Solid Birch						3/4" Solid Eucalyptus Grandis		
Door Frame	3/4" Solid Birch						3/4" Solid Eucalyptus Grandis		
Door Center	Solid Birch	MDF (to avoid expansion)			MDF with maple veneer		Solid Eucalyptus Grandis (Reversed Raised Door Panel)	Eucalyptus Grandis	
Sides (Wall & Base)	1/2" A-Grade plywood with wood veneer								
Top & Bottom (Wall)									
Bottom (Base)	3/8" A-Grade plywood with wood veneer								
Cabinet Interior	Matches door color								
Back Panel	1/2" Picture Frame recess style				WALL: 1/2" Picture Frame recess style BASE*: 1/2" FULL Back				
Hinges	**Concealed 6-way adjustable soft close door hinges								
Connectors	Pre-installed, color coated metal clip, won't tarnish								
Shelves	***3/4" A-Grade plywood with wood veneer (Townsquare Grey (TS) includes metal shelf clips. ALL NEW incoming stock for ALL other styles includes metal shelf clips.)								
Drawer box	Solid Wood 17mm (close to 3/4" T)								
	Drawer bottom 1/2" plywood								
	Drawer length 21"								
	Dovetail Construction								
	Natural finish								
Drawer Glides	Undermount, Full extension with soft closing feature								
Base Corner	Wood Corner brackets, with wood I-beam								

Specifications and availability of items are subject to change without notice and TSG is not responsible for printing errors

* Applicable to most Base sizes. Certain Bases may have picture frame recess style. For an indeterminate transitional period, orders may include inventory with mixed specifications.

** No center stile on cabinetry 24"W to 36"W

*** Metal clips will be included for TS line. **New incoming stock for all other styles includes metal shelf clips.** For an indeterminate transitional period, orders may include inventory with mixed specifications. Additional or replacement metal clips will not be provided in the event of a mixed shipment. Metal clips are available for purchase, upon request.

**** New incoming stock includes standard soft closing door hinges. For an indeterminate transitional period, orders may include inventory with mixed specifications. Additional/replacement soft closing hinges will not be provided automatically, and are only available for purchase, upon request.

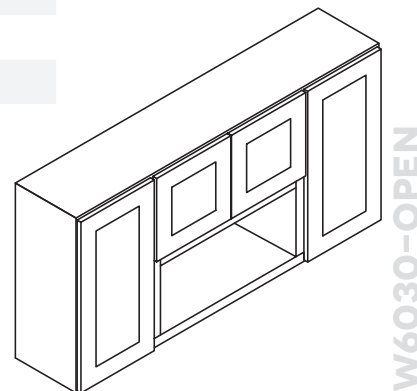
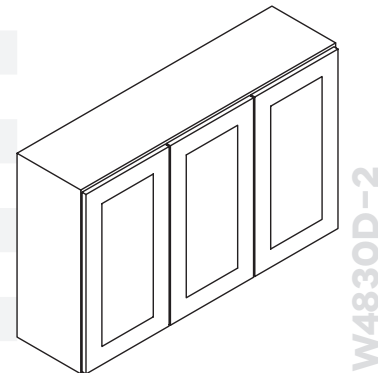
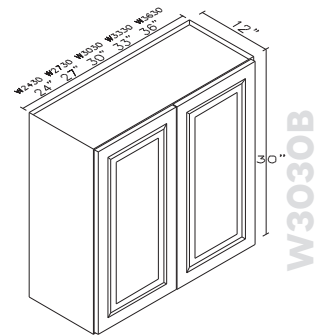
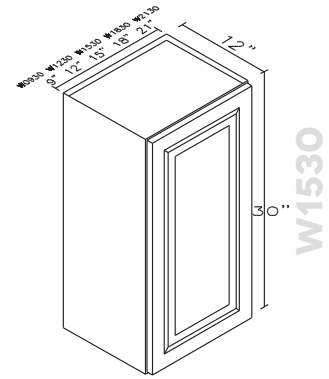




SPEC SHEETS

SPEC SHEET 1 (WALL CABINETS)

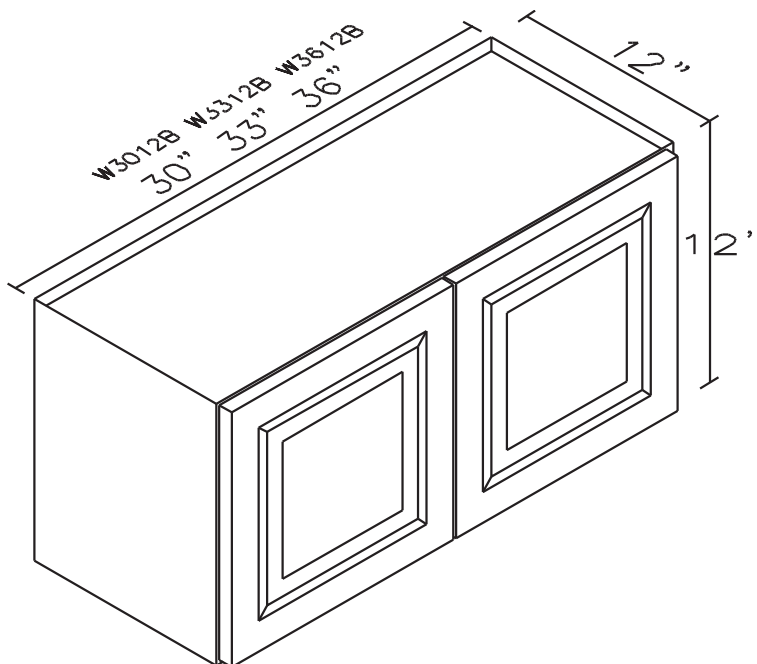
Item#	Width	Height	Depth	Door	Drawer	Shelf
W0930	9"	30"	12"	1	0	2
W1230	12"	30"	12"	1	0	2
W1530*	15"	30"	12"	1	0	2
W1830	18"	30"	12"	1	0	2
W2130	21"	30"	12"	1	0	2
W2430B	24"	30"	12"	2	0	2
W2730B	27"	30"	12"	2	0	2
W3030B	30"	30"	12"	2	0	2
W3330B	33"	30"	12"	2	0	2
W3630B	36"	30"	12"	2	0	2
W4230	42"	30"	12"	2	0	2
W4830B-3	48"	30"	12"	3	0	2
W6030-OPEN	60"	15" / 30"	12"	4	0	5
W0936	9"	36"	12"	1	0	2
W1236	12"	36"	12"	1	0	2
W1536	15"	36"	12"	1	0	2
W1836	18"	36"	12"	1	0	2
W2136	21"	36"	12"	1	0	2
W2436B	24"	36"	12"	2	0	2
W2736B	27"	36"	12"	2	0	2
W3036B	30"	36"	12"	2	0	2
W3336B	33"	36"	12"	2	0	2
W3636B	36"	36"	12"	2	0	2
W0942	9"	42"	12"	1	0	3
W1242	12"	42"	12"	1	0	3
W1542	15"	42"	12"	1	0	3
W1842	18"	42"	12"	1	0	3
W2142	21"	42"	12"	1	0	3
W2442B	24"	42"	12"	2	0	3
W2742B	27"	42"	12"	2	0	3
W3042B	30"	42"	12"	2	0	3
W3342B	33"	42"	12"	2	0	3
W3642B	36"	42"	12"	2	0	3



*Each W1530 (in W6030-open) has 2 shelves and 1 open shelf in center

SPEC SHEET 2 (WALL CABINETS)

Item#	Width	Height	Depth	Door	Drawer	Shelf
W3012B	30"	12"	12"	2	0	0
W3312B	33"	12"	12"	2	0	0
W3612B	36"	12"	12"	2	0	0
W361224B	36"	12"	24"	2	0	0
W2415B	24"	15"	12"	2	0	0
W3015B	30"	15"	12"	2	0	0
W301524B	30"	15"	24"	2	0	0
W3315B	33"	15"	12"	2	0	0
W3615B	36"	15"	12"	2	0	0
W361524B	36"	15"	24"	2	0	0
W2418B	24"	18"	12"	2	0	0
W3018B	30"	18"	12"	2	0	0
W3318B	33"	18"	12"	2	0	0
W3618B	36"	18"	12"	2	0	0
W361824B	36"	18"	24"	2	0	0
W2424B	24"	24"	12"	2	0	1
W3024B	30"	24"	12"	2	0	1
W302424B	30"	24"	24"	2	0	1
W3324B	33"	24"	12"	2	0	1
W332424B	33"	24"	24"	2	0	1
W3624B	36"	24"	12"	2	0	1
W362424B	36"	24"	24"	2	0	1



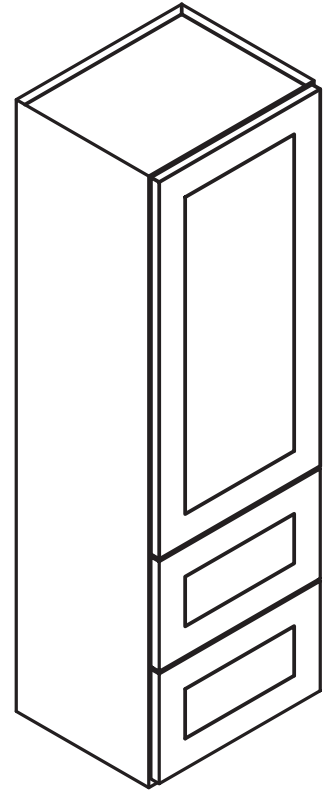
*All Glass Doors come without hinges (no hinges)

SPEC SHEET 3 (WALL CABINETS)

Item#	Width	Height	Depth	Door	Drawer	Shelf
WDC2430	24"	30"	12"	1	0	2
WDC2436	24"	36"	12"	1	0	2
WDC2442	24"	42"	12"	1	0	3
WDC273615	27"	36"	15"	1	0	2
WDC274215	27"	42"	15"	1	0	3
WBLC30/33-3030	30"	30"	12"	1	0	2
WBLC30/33-3036	30"	36"	12"	1	0	2
WBLC30/33-3042	30"	42"	12"	1	0	3
WBLC39/42-3630	36"	30"	12"	1	0	2
WBLC39/42-3636	36"	36"	12"	1	0	2
WBLC39/42-3642	36"	42"	12"	1	0	3

- Max Pull to 42"W (with 9"W center board)
- With double (2) doors on WBLCxxx (except CYOF, K-series)
- Specify door Right or Left when ordering (not blind)

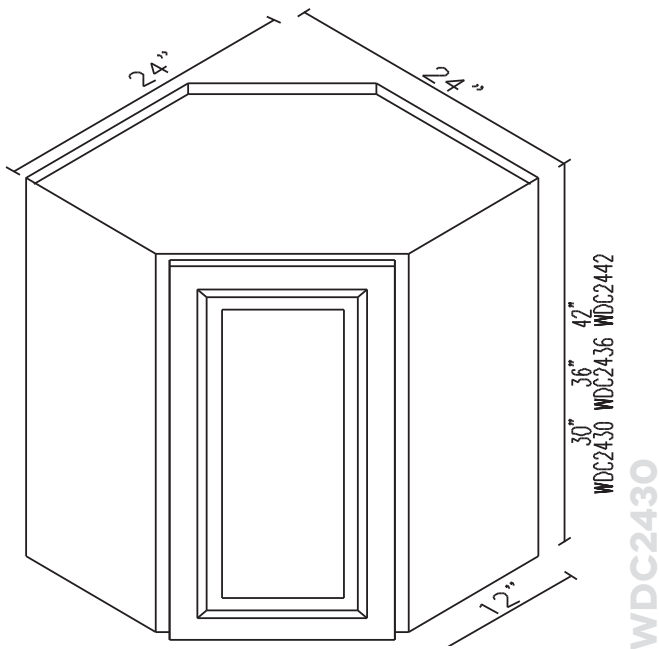
Door Size (Width):
 • All Styles 11-3/16"



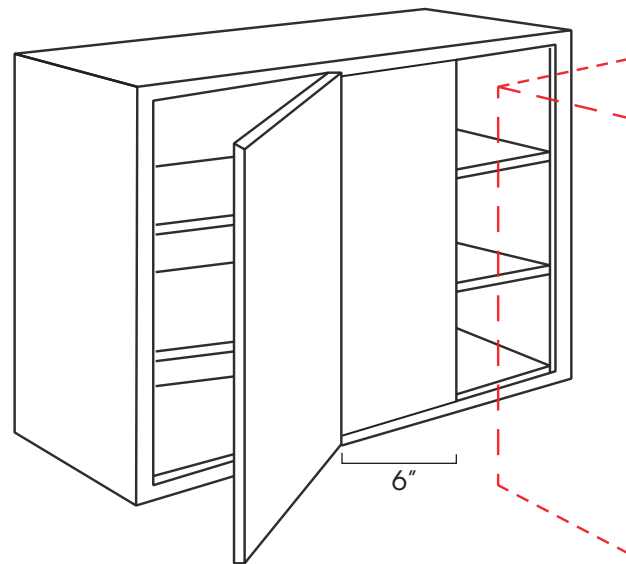
W2D1848-1860

Item#	Width	Height	Depth	Door	Drawer	Shelf
W2D1848	18"	48"	12"	1	2	2
W2D1854	18"	54"	12"	1	2	2
W2D1860	18"	60"	12"	1	2	3

W2Dxxxx, tracks are NOT soft closing



WDC2430



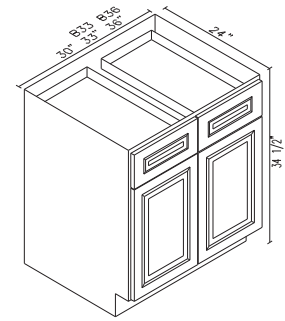
WBLCXX/XX-XXXX

SPEC SHEET 4 (BASE CABINETS)

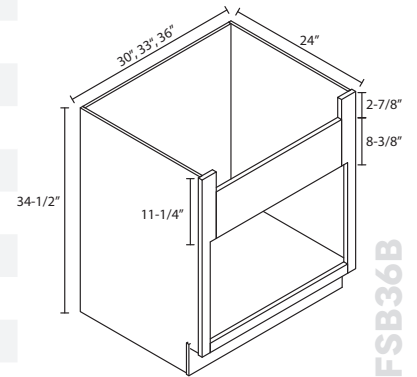


Forevermark
cabinetry™

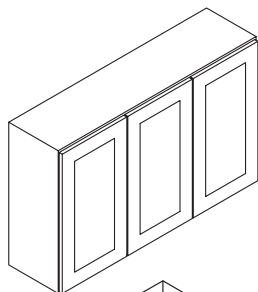
Item#	Width	Height	Depth	Door	Drawer	Shelf
BFP09	9"	34-1/2"	24"	1	0	0
FB09	9"	34-1/2"	24"	1	0	1
B09	9"	34-1/2"	24"	1	1	1
B12	12"	34-1/2"	24"	1	1	1
B15	15"	34-1/2"	24"	1	1	1
B18	18"	34-1/2"	24"	1	1	1
B21	21"	34-1/2"	24"	1	1	1
B24B	24"	34-1/2"	24"	2	1	1
B27B	27"	34-1/2"	24"	2	1	1
B30B*	30"	34-1/2"	24"	2	1	1
B33B	33"	34-1/2"	24"	2	2	1
B36B	36"	34-1/2"	24"	2	2	1
B42	42"	34-1/2"	24"	2	2	1
B48	48"	34-1/2"	24"	2	2	1
SB24	24"	34-1/2"	24"	2	0	0
SB27B	27"	34-1/2"	24"	2	0	0
SB30B	30"	34-1/2"	24"	2	0	0
SB33B	33"	34-1/2"	24"	2	0	0
SB36B	36"	34-1/2"	24"	2	0	0
SB42	42"	34-1/2"	24"	2	0	0
SB48D-2	48"	34-1/2"	24"	2	2	0
SB60B	60"	34-1/2"	24"	4	2	0
W4830B-3	48"	30"	12"	3	0	2
W6030-OPEN	60"	15"/30"	12"	4	0	5
FSB30B	30"	34-1/2"	24"	2	0	0
FSB33B	33"	34-1/2"	24"	2	0	0
FSB36B	36"	34-1/2"	24"	2	0	0



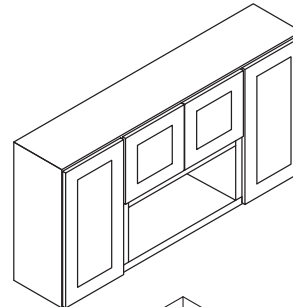
B36B



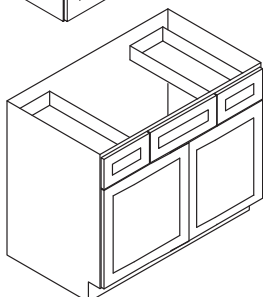
FSB36B



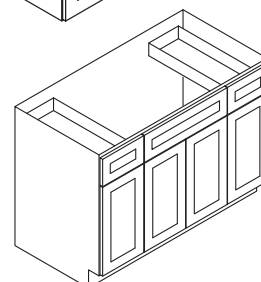
W4830D-2



W6030-OPEN



SB48D-2



SB60B

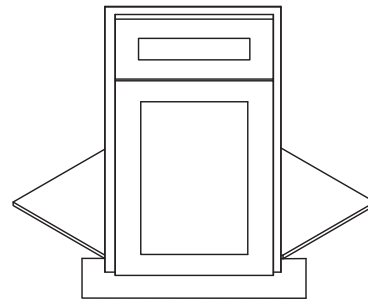
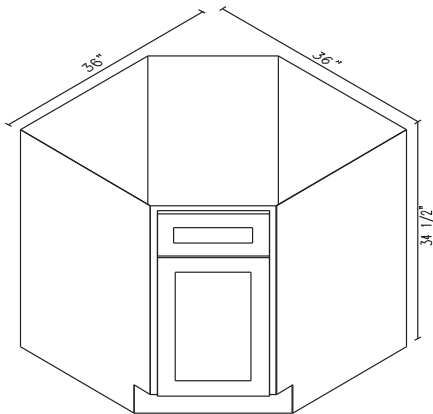
*30" W base with single drawer is new specification, bases may ship with 2 drawers until old inventory is phased out. Replacement and special requests will not be honored regarding drawer selection.

SPEC SHEET 5 (BASE CABINETS)

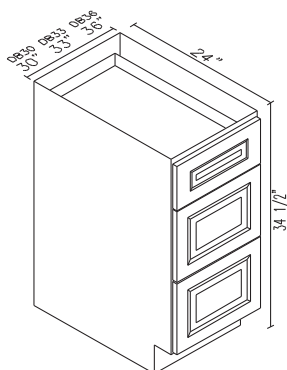
Item#	Width	Height	Depth	Door	Drawer	Shelf
DB12(3)	12"	34-1/2"	24"	0	3	0
DB15(3)	15"	34-1/2"	24"	0	3	0
DB18(3)	18"	34-1/2"	24"	0	3	0
DB21(3)	21"	34-1/2"	24"	0	3	0
DB24(3)	24"	34-1/2"	24"	0	3	0
DB30(3)	30"	34-1/2"	24"	0	3	0
DB36(3)	36"	34-1/2"	24"	0	3	0
DB15(4)	15"	34-1/2"	24"	0	3	0
DB18(4)	18"	34-1/2"	24"	0	3	0
BDCF36	36"	34-1/2"	24"	1	0	1
BDCF36K-FL	36"	34-1/2"	24"	1	0	0

*Drawer front, door, toe kick, and floor panel only,
not full cabinet*

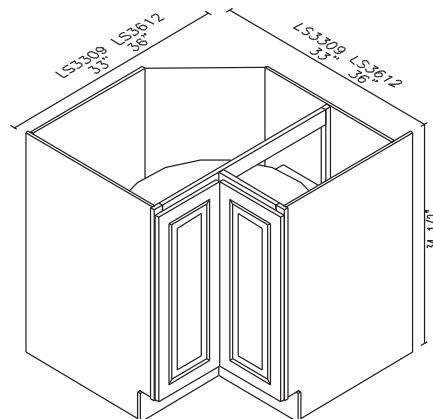
LS3309	33"	34-1/2"	33"	1	0	0
LS3612	36"	34-1/2"	36"	1	0	0
<i>Bi-Fold Door, Includes rolling trays</i>						
LS3612S (EZR3612)	36"	34-1/2"	36"	1	0	1
<i>EZ Reach shelf, no tray.</i>						



BDCF36K-FL



DB12(3)

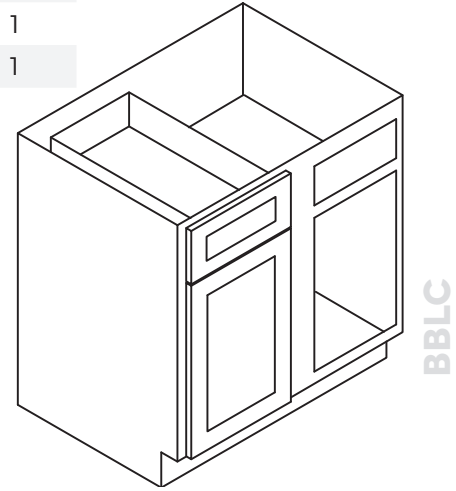


LS3309 / LS3612

SPEC SHEET 6 (BASE CABINETS)

Item#	Width	Height	Depth	Door	Drawer	Shelf
BBLC39/42-36" W	36"	34-1/2"	24"	1	1	1
BBLC42/45-39" W	39"	34-1/2"	24"	1	1	1
BBLC45/48-42" W	42"	34-1/2"	24"	1	1	1

• Specify door Right or Left when ordering (not blind)



BBLC39/42-36" W

(Min. Pull from: 39" W to 42" W)

Dimension	All styles
A	36"
B	11-3/4"
C	11-9/16"
D	8-7/8"
E	24-1/4"
F	13-3/4"

BBLC42/45-39" W

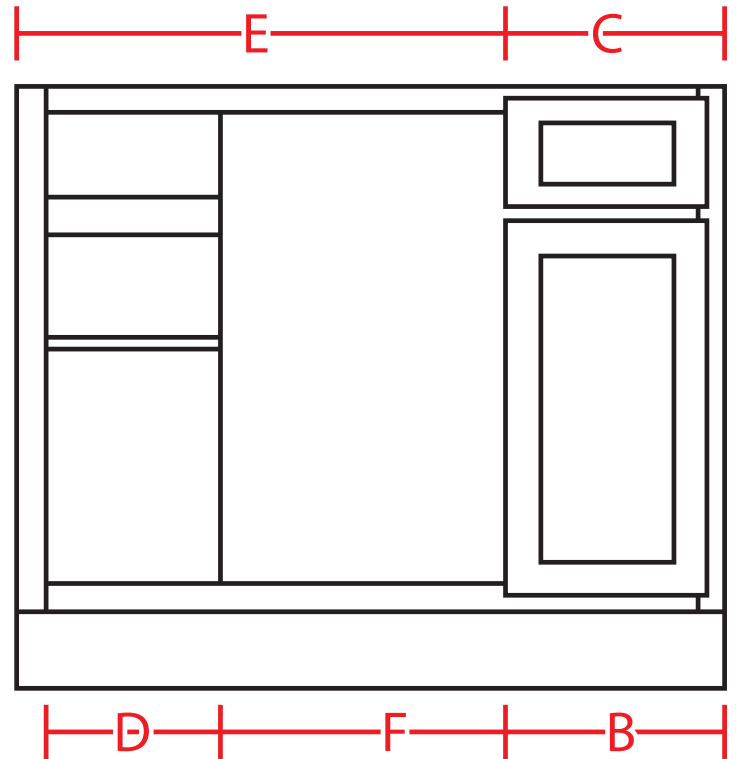
(Min. Pull from: 42" W to 45" W)

Dimension	All styles
A	39"
B	14-3/4"
C	14-9/16"
D	11-7/8"
E	24-1/4"
F	10-3/4"

BBLC45/48-42" W

(Min. Pull from: 45" W to 48" W)

Dimension	All styles
A	42"
B	17-3/4"
C	17-1/2"
D	14-7/8"
E	24-1/4"
F	7-3/4"

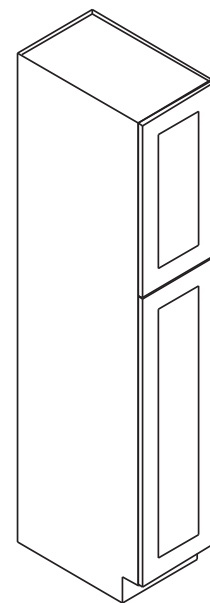


SPEC SHEET 7 (SPECIAL CABINETS, WALL PANTRY AND OVEN CABINETS)

Item#	Width	Height	Depth	Door	Drawer	Shelf
WES530	5"	30"	11-1/2"	0	0	2
WES536	5"	36"	11-1/2"	0	0	2
WES542	5"	42"	11-1/2"	0	0	3
<i>WESxxxx are rounded shelves</i>						
AW30	12"	30"	12"	1	0	2
AW36	12"	36"	12"	1	0	2
AW42	12"	42"	12"	1	0	3
<i>AWxx Door Width is 16-7/16"</i>						
BTC12R	12"	34-1/2"	24 to 12"	1	0	1
BTC12L	12"	34-1/2"	12 to 24"	1	0	1
W3018WR	30"	18"	12"	0	0	0
TCR21-2 (Fits B18 or B21)	13-3/4"	16"	21"	0	0	0
WC630-12	6"	30"	12"		5 cubes	
WC636-12	6"	36"	12"		6 cubes	
WC642-12	6"	42"	12"		7 cubes	

WALL PANTRY AND OVEN CABINETS

Item#	Width	Height	Depth	Door	Drawer	Shelf
WP1584	15"	84"	24"	2	0	1+3*
WP1590	15"	90"	24"	2	0	1+5*
WP1596	15"	96"	24"	2	0	1+6*
WP1884	18"	84"	24"	2	0	1+3*
WP1890	18"	90"	24"	2	0	1+5*
WP1896	18"	96"	24"	2	0	1+6*
WP2484B	24"	84"	24"	4	0	1+3*
WP2490B	24"	90"	24"	4	0	1+5*
WP2496B	24"	96"	24"	4	0	1+6*
OC3384B	33"	84"	24"	2	3	0
OC3390B	33"	90"	24"	2	3	0
OC3396B	33"	96"	24"	2	3	1
OM3384B	33"	84"	24"	2	1	0
OM3390B	33"	90"	24"	2	1	0
OM3396B	33"	96"	24"	2	1	1



WP1896

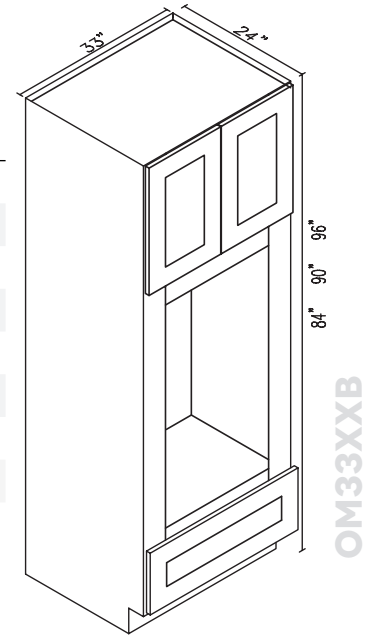
SPEC SHEET 8 (WALL PANTRY AND OVEN CABINETS)



WALL PANTRY DOOR SIZES*

ALL OTHER STYLES

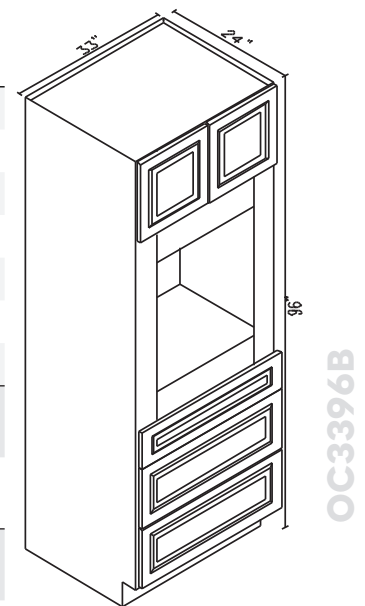
WP1584	14-1/2"	29-5/16"	49-1/4"
WP1590	14-1/2"	35-5/16"	49-1/4"
WP1596	14-1/2"	41-5/16"	49-1/4"
WP1884	17-9/16"	29-5/16"	49-1/4"
WP1890	17-9/16"	35-5/16"	49-1/4"
WP1896	17-9/16"	41-5/16"	49-1/4"
WP2484B	11-11/16"	29-5/16"	49-1/4"
WP2490B	11-11/16"	35-5/16"	49-1/4"
WP2496B	11-11/16"	41-5/16"	49-1/4"



OVEN CABINET SIZES*

ALL STYLES

Item #	Openings	Door Height	Door Width
OC3384B	24"W x 24"H	20-5/16"	16-1/4"
OC3390B	24"W x 24"H	23-5/16"	16-1/4"
OC3396B	24"W x 24"H	29-5/16"	16-1/4"
OM3384B	24"W x 42"H	26-1/4"	16-1/4"
OM3390B	24"W x 42"H	32-1/4"	16-1/4"
OM3396B	24"W x 42"H	38-1/4"	16-1/4"
	Top Drawer Height	2 nd & 3 rd Drawer Height	Drawer Width
CYOF & K-Series	6-1/4"	11-5/16"	32-1/2"
All Other Door Styles	6-11/16"	11-1/16"	32-1/2"
OM33XX	6-3/4"	N/A	32-1/2"



* 1+X=One fixed shelf + X adjustable shelves

SPEC SHEET 9 (GLASS DOORS*)

Item#	PC		ALL OTHER STYLES	
	Width	Height	Width	Height
W3012BGD (2pc)	-	-	14-11/16"	11-5/16"
W1530GD (1pc)	14-5/8"	29"	14-1/2"	29-5/16"
W1530MGD (1pc)	14-5/8"	29"	14-1/2"	29-5/16"
W1830GD (1pc)	17-5/8"	29"	17-1/2"	29-5/16"
W1830MGD (1pc)	17-5/8"	29"	17-1/2"	29-5/16"
W2430BGD (2PC)	23-5/8"	29"	23-1/2"	29-5/16"
W2430BMGD (2PC)	23-5/8"	29"	23-1/2"	29-5/16"
W3030BGD (2pcs/set)	14-3/4"	29"	14-11/16"	29-5/16"
W3030BMGD (2pcs/set)	14-3/4"	29"	14-11/16"	29-5/16"
W3630BGD (2pcs/set)	17-3/4"	29"	17-11/16"	29-5/16"
W3630BMGD (2pcs/set)	17-3/4"	29"	17-11/16"	29-5/16"
WDC2430GD (1pc)	14-3/4"	29"	14-15/16"	29-5/16"
WDC2430MGD (1pc)	14-3/4"	29"	14-15/16"	29-5/16"
W1536GD (1pc)	14-5/8"	34-15/16"	14-1/2"	35-5/16"
W1536MGD (1pc)	14-5/8"	34-15/16"	14-1/2"	35-5/16"
W1836GD (1pc)	17-5/8"	34-15/16"	17-1/2"	35-5/16"
W1836MGD (1pc)	17-5/8"	34-15/16"	17-1/2"	35-5/16"
W2436BGD (2PC)	23-5/8"	34-15/16"	23-1/2"	35-5/16"
W2436BMGD (2PC)	23-5/8"	34-15/16"	23-1/2"	35-5/16"
W3036BGD (2pcs/set)	14-3/4"	34-15/16"	14-11/16"	35-5/16"
W3036BMGD (2pcs/set)	14-3/4"	34-15/16"	14-11/16"	35-5/16"
W3636BGD (2pcs/set)	17-3/4"	34-15/16"	17-11/16"	35-5/16"
W3636BMGD (2pcs/set)	17-3/4"	34-15/16"	17-11/16"	35-5/16"
WDC2436GD (1pc)	14-3/4"	34-15/16"	14-15/16"	35-5/16"
WDC2436MGD (1pc)	14-3/4"	34-15/16"	14-15/16"	35-5/16"
WDC273615GD (1pc)	14-3/4"	34-15/16"	14-15/16"	35-5/16"
WDC273615MGD (1pc)	14-3/4"	34-15/16"	14-15/16"	35-5/16"
W1542GD (1pc)	14-5/8"	41"	14-1/2"	41-5/16"
W1542MGD (1pc)	14-5/8"	41"	14-1/2"	41-5/16"
W1842GD (1pc)	17-5/8"	41"	17-1/2"	41-5/16"
W1842MGD (1pc)	17-5/8"	41"	17-1/2"	41-5/16"
W2442BGD (2PC)	23-5/8"	41"	23-1/2"	41-5/16"
W2442BMGD (2PC)	23-5/8"	41"	23-1/2"	41-5/16"
W3042BGD (2pcs/set)	14-3/4"	41"	14-11/16"	41-5/16"
W3042BMGD (2pcs/set)	14-3/4"	41"	14-11/16"	41-5/16"
W3642BGD (2pcs/set)	17-3/4"	41"	17-11/16"	41-5/16"
W3642BMGD (2pcs/set)	17-3/4"	41"	17-11/16"	41-5/16"
WDC2442GD (1pc)	14-3/4"	41"	14-11/16"	41-5/16"
WDC2442MGD (1pc)	14-3/4"	41"	14-11/16"	41-5/16"
WDC274215GD (1pc)	14-3/4"	41"	14-11/16"	41-5/16"
WDC274215MGD (1pc)	14-3/4"	41"	14-11/16"	41-5/16"

* Cabinets sold separately



SPEC SHEET 10 (RANGE HOODS, PANELS)



EPW1230D	11-13/16"	29"	11-1/2"	29-5/16"
EPW1236D	11-13/16"	34-15/16"	11-1/2"	35-5/16"
EPW1242D	11-13/16"	41"	11-1/2"	41-5/16"
EPB24D	23-13/16"	29-5/16"	23-3/4"	29-5/16"
EPWP2484D—Top Door	23-13/16"	29"	23-3/4"	29-5/16"
—Middle/bottom Doors	23-13/16"	54"	23-3/4"	49-1/4"
EPWP2490D—Top Door	23-13/16"	34-15/16"	23-3/4"	35-5/16"
—Middle/bottom Doors	23-13/16"	54"	23-3/4"	49-1/4"
EPWP2496D—Top Door	23-13/16"	41"	23-3/4"	41-5/16"
—Middle/bottom Doors	23-13/16"	54"	23-3/4"	49-1/4"

Item#	Width	Height	Depth	Door	Drawer	Shelf
AWH36	36"	24"	8"	0	0	0
MWO3018PM-12"	30"	18"	12"	0	0	1

Shelf Depth: 18", Opening: 14-1/8"H x 26-7/8"W

15RT-DR†	11"	2-7/8"	21"	0	0	0
18RT-DR†	14"	2-7/8"	21"	0	0	0
24RT-DR†	20"	2-7/8"	21"	0	0	0
27RT-DR†	23"	2-7/8"	21"	0	0	0
30RT-DR†	26"	2-7/8"	21"	0	0	0
33RT-DR†	29"	2-7/8"	21"	0	0	0
36RT-DR†	32"	2-7/8"	21"	0	0	0

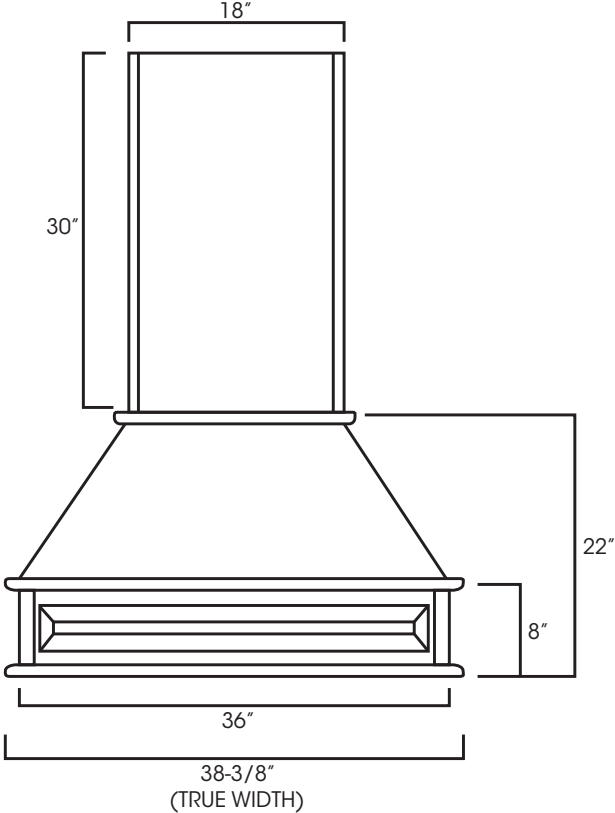
DWR33412	24"	34-1/2"	1/2"	1 Side Finish, 3" return (not attached)		
REP2484-3/4"	24"	84"	3/4"	2 Sides Finish (Banded Edge)		
REP2496-3/4"	24"	96"	3/4"	2 Sides Finish (Banded Edge)		
REP2484(3)-3/4"	24"	84"	3/4"	2 Sides Finish, 3" return (not attached)		
REP2496(3)-3/4"	24"	96"	3/4"	2 Sides Finish, 3" return (not attached)		
REP3096(3)-3/4"	30"	96"	3/4"	1 Sides Finish, 3" return (not attached)		
FBP489614(1)	96"	48"	1/4"	1 Side Finish (Vertical Grain)		
BP48341214	48"	34-1/2"	1/4"	1 Side Finish		
VAS48	48"	4-5/8"				

*The back of the drawer unit will not be dovetailed after modification.

†Dovetail box

SPEC SHEET 11 (RANGE HOODS)

Item#	Width	Height	Depth
CWH36*	36" (38-3/8")	22"+30"	20-1/2"



CWH36

*Trimmable, All hoods will match door style

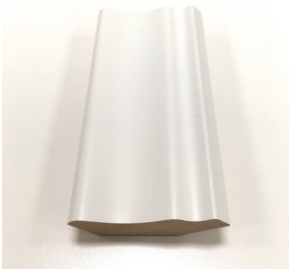
SPEC SHEET 12 (TRIM DETAILS)



Item#	Width	Height	Depth	
VAD3612	36"	12"/8"		
VAD4212	42"	12"/8"		
VAD4812	48"	12"/8"		
VAL48B	48"	6"		<i>Trimable 6" on both sides</i>
VAL54B	54"	6"		<i>Trimable 6" on both sides</i>
VAL48S	48"	6"		<i>Trimable 6" on both sides</i>
VAL54S	54"	6"		<i>Trimable 6" on both sides</i>
CM96 (Plain)	2-1/2"	96"		
CM96-4 (Plain)	4-1/2"	96"		
CM96B-4 (Egg&Dart)	4-1/2"	96"		<i>Egg & dart attached</i>
CM96C-4 (Rope)	4-1/2"	96"		<i>Rope attached</i>
CM96H-4	4-1/2"	96"		
CM96E-4	4-1/2"	96"		
CM96K-4 (Coved)	4-1/2"	96"		
TP3/WF34-1/2"	3"	34-1/2"	3"	<i>Full leg. Comes with Wall Filler 3"x34-1/2"</i>
LEG28 B3x3 (SL ONLY)	3"	36-1/2"	3"	<i>Full leg. Must trim 2" off top or bottom.</i>
LEG75 B3x3	3"	36-1/2"	3"	<i>Full leg. Must trim 2" off top or bottom.</i>
LEG81	3"	34-1/2"	3"	<i>Full Leg</i>
LEG82	3"	34-1/2"	1-1/2"	<i>1/2 Leg.</i>
LEG83*	3"	34-1/2"	1-1/2"	<i>1/2 Leg</i>
LEG-SMALL51	3"	4-1/2"	1-1/2"	<i>1/2 Leg</i>
LEG-SMALL52	3"	4-1/2"	1-1/2"	<i>1/2 Leg</i>
POLE28-B3 (SL ONLY)	3"	36-1/2"	3"	<i>Must trim 2" off top or bottom</i>
POLE28-W330 (SL ONLY)	3"	30"	2-1/4"	
POLE28-W336 (SL ONLY)	3"	36"	2-1/4"	
POLE28-W342 (SL ONLY)	3"	42"	2-1/4"	
POLE28-T384 (SL ONLY)	3"	84"	2-1/4"	<i>Trimable to different length & depth</i>
POLE28-T390 (SL ONLY)	3"	90"	2-1/4"	<i>Trimable to different length & depth</i>
POLE28-T396 (SL ONLY)	3"	96"	2-1/4"	<i>Trimable to different length & depth</i>
POLE75-B3	3"	36-1/2"	3"	<i>Must trim 2" off top or bottom</i>
POLE75-W330	3"	30"	2-1/4"	
POLE75-W336	3"	36"	2-1/4"	
POLE75-W342	3"	42"	2-1/4"	
POLE75-T384	3"	84"	2-1/4"	<i>Trimable to different length & depth</i>
POLE75-T390	3"	90"	2-1/4"	<i>Trimable to different length & depth</i>
POLE75-T396	3"	96"	2-1/4"	<i>Trimable to different length & depth</i>
CFC96*	3"	96"	2-1/4"	<i>Trimable to different length & depth</i>

SPEC SHEET 12 (TRIM DETAILS)

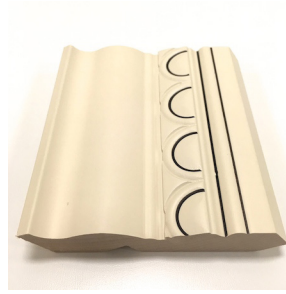
Crown molding details applied. No installation required



CM96



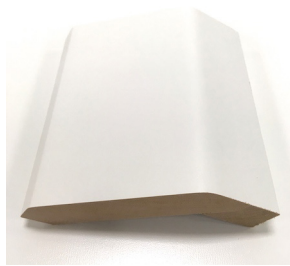
CM96-4



CM96B-4



CM96C-4



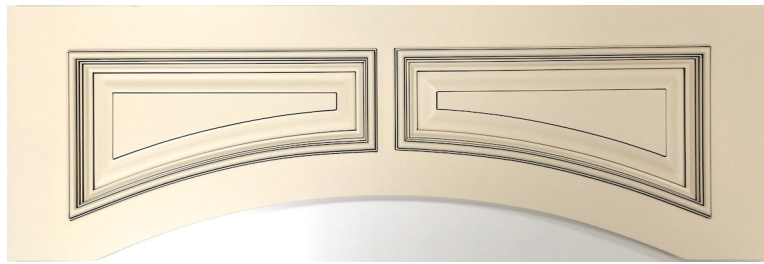
CM96E-4



CM96H-4



CM96K-4



VADXXXX



VALXXB



VALXXS



VAS48

SPEC SHEET 12 (TRIM DETAILS)



**TP3
(FILLER INCLUDED)**



**LEG 81
FULL LEG**



**LEG 82
HALF LEG**



**LEG 83
HALF LEG**



**LEG SMALL 51
HALF LEG**



**LEG SMALL 52
HALF LEG**



**LEG 28
FULL LEG**



**POLE28-B3
HALF LEG**



**POLE28-WFXXX
HALF LEG**



**LEG 75
FULL LEG**



**POLE75-B3
HALF LEG**



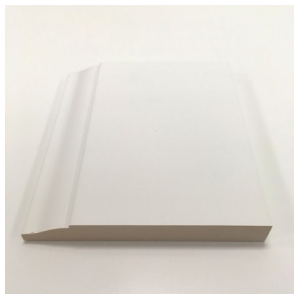
**POLE75-WFXXX
HALF LEG**

SPEC SHEET 13 (TRIM DETAILS)

Item#	Width	Height	Depth
DOA	19-7/8"	4-1/4"	
CORBEL54	3"	6"	4"
CORBEL55	3"	6"	4"
CORBEL56	3"	6"	4"
CORBEL57	3"	9"	6"
CORBEL59	3"	9"	6"
CORBEL60S	5"	10"	5"
CORBEL60L	7"	17"	7"
CORBEL75S	3-3/4"	6-1/2"	3-1/2"
CORBEL75M	5-1/4"	12-1/2"	4-1/2"
CORBEL75L	3-1/2"	12-1/2"	8"
SC4	3/4"	3/4"	96"
SC5*	1/4"	3/4"	96"
SC1-3*	1/4"	3/4"	96"
SC6	1/2"	3/4"	96"
SC8	1/4"	3/4"	96"
LRM8*	1-1/2"	1"	96"
TLRM8*	1-1/2"	2-1/4"	96"
BM4-1/2"-5/8"*	5/8"	4-1/2"	96"
TK8	1/4"	4-1/2"	96"



DOA



BM4



SC1



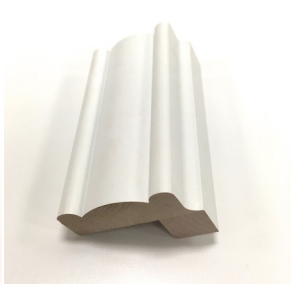
SC4



SC5



LRM8



TLRM8



SMALL: **CORBEL 54**
LARGE: **CORBEL 59**
Raised Center



CORBEL 55
CORBEL 58



CORBEL 56
CORBEL 57



SMALL
CORBEL 75S, 75M, 75L
Recessed Center



CORBEL 60S
CORBEL 60L

SPEC SHEET 14 (TRIM DETAILS)



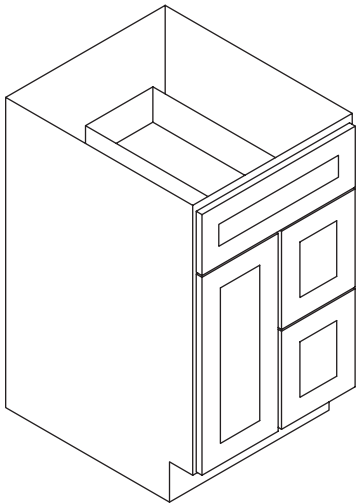
Item#	Width	Height	Depth	
WF3-3/4	3"	30"	3/4"	
WF336-3/4	3"	36"	3/4"	
WF342-3/4	3"	42"	3/4"	
WF384-3/4	3"	84"	3/4"	
WF396-3/4	3"	96"	3/4"	
WF6-3/4	6"	30"	3/4"	
WF642-3/4	6"	42"	3/4"	
WF696-3/4	6"	96"	3/4"	
BF3-3/4	3"	34-1/2"	3/4"	
BF6-3/4	6"	34-1/2"	3/4"	
A30WF	3"	30"	3/4"	
A36WF	3"	36"	3/4"	
A42WF	3"	42"	3/4"	
A3BF	3"	34-1/2"	3/4"	
A6BF	6"	34-1/2"	3/4"	
CLB334-1/2	3"	34-1/2"	24"	
CLW330	3"	30"	15"	<i>Trimnable to different height, width</i>
CLW336	3"	36"	15"	<i>Trimnable to different height, width</i>
CLW342	3"	42"	15"	<i>Trimnable to different height, width</i>
CLW396	3"	96"	27"	<i>Trimnable to different height, width</i>
OLF330	2-1/2"	29-1/4"	3/4"	
OLF336	2-1/2"	35-1/4"	3/4"	
OLF342	2-1/2"	41-1/4"	3/4"	
OLF630	5-1/2"	29-1/4"	3/4"	
OLF636	5-1/2"	35-1/4"	3/4"	
OLF642	5-1/2"	41-1/4"	3/4"	
OLF384	2-1/2"	78-3/4"	3/4"	
OLF390	2-1/2"	84-3/4"	3/4"	
OLF396	2-1/2"	90-3/4"	3/4"	

SPEC SHEET 15 (VANITIES)

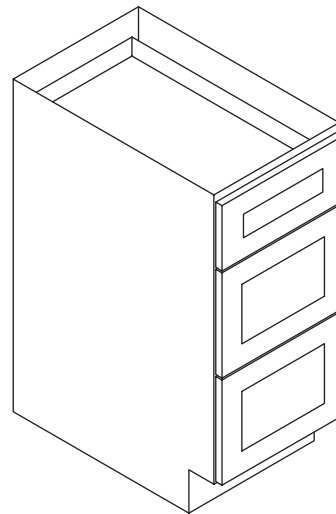
Item#	Width	Height	Depth	Door	Drawer
S2421B	24"	30"	21"	2	0
S2421B-34-1/2"	24"	34-1/2"	21"	2	0
S3021B-34-1/2"	30"	34-1/2"	21"	2	0
S3621B-34-1/2"	36"	34-1/2"	21"	2	0
S3021DL-34-1/2"	30"	34-1/2"	21"	1	2
S3021DR-34-1/2"	30"	34-1/2"	21"	1	2
S3621BDL-34-1/2" *	36"	34-1/2"	21"	2	2
S3621BDR-34-1/2" *	36"	34-1/2"	21"	2	2
S4821B12D-34-1/2"	48"	34-1/2"	21"	4	2

1 B12 Left drawer and 1 B12 Right drawer, Center is SB24 with header in center

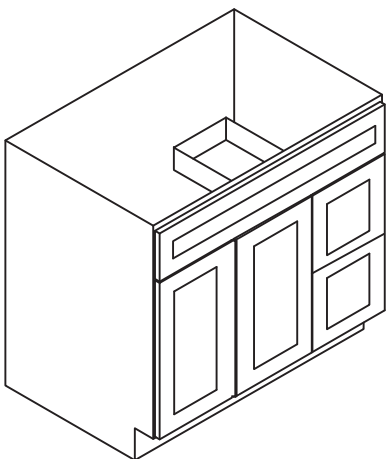
SVB1221-34-1/2"	12"	34-1/2"	21"	0	3
SVB1521-34-1/2"	15"	34-1/2"	21"	0	3
SVDU3021-7"	30"	7"	21"	0	0



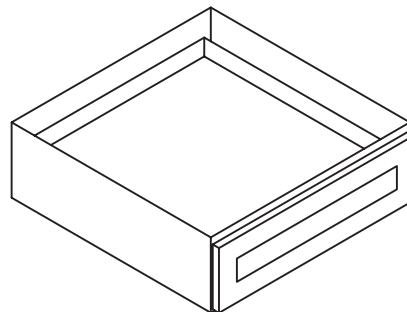
S3021DR



SVB1221/1521



S3621BDR



SVDU3021-7

*24" doors + 12" drawer





Forevermark
cabinetry™



Please use ONE order form per Style
Please Specify Hinge L (Left) Or R (Right) on Assembled Order