

Sales Catalog

# Cabinets



# 5 Year Limited Warranty

Vendor warrants to the original consumer purchaser that cabinetry, door hinges, and drawer glides will be free from defects in material and workmanship under normal use and service for a period of Five (5) years from purchase date (Proof of Purchase is required). This warranty is not transferable and only applicable to product used for residential purposes. Representatives of this cabinet line do not have the authority to change or enlarge this warranty.

This warranty does not cover normal wear and tear, damage or defects caused by accidents, misuse, abuse, or lack of necessary maintenance; nor does it cover alteration, modification, improper installation, improper handling / storage, environmental conditions, nor any labor expenses.

Vendor, at our option, may elect to repair or replace with a functionally equivalent product any product covered by this warranty. Some replacement parts are subject to availability and may differ from original parts received. Return of defective product may be required for a replacement to be issued. Repair parts or replacement parts are at the expense of the vendor, but customer shall bear all other expenses. These expenses may include, but are not limited to, cost of removal and re-installation of product, labor expenses, etc.

Just as no two trees are alike, no two pieces of wood are alike. The variation in color and grain pattern in wood adds to its natural beauty and is not considered an imperfection. Environmental factors, including but not limited to artificial / natural light, moisture, cleaners, smoke, etc, may cause the darkening or mellowing of a cabinet over time. This is a natural process and can be expected. This warranty does not cover the natural aging or darkening / mellowing of wood color, the inherent growth characteristics of, or variation in wood.

Some of the cabinet lines feature a glazed finish that accentuates the door and drawer front profiles. This glaze is hand-applied over a stain or paint and may, due to the nature of application, consist of random drips, runs, etc. As glazing is a hand-applied process there will be variations in color and appearance from door to door and cabinet to cabinet. This is not considered a defect and is considered normal with hand applied finishes.

It is the nature of wood to expand and contract to varying degrees depending on climate conditions. As a result, cabinet lines with painted surfaces may show fractures in the paint at joints. This is normal and is not considered a defect.

This warranty is valid only in the United States of America and is not transferable. All implied warranties are limited in duration to the shorter of the period provided by law or the period of this warranty. To the extent permitted by law, this warranty excludes special, incidental, or consequential damages. Some states do not allow the exclusion or limitations of incidental or consequential damages or limitations on how long an implied warranty lasts, so the above limitations or exclusions may not apply to you. This warranty gives you specific legal rights; you may have other rights which vary from state to state.

To exercise this warranty, please contact the supplier from whom you purchased the product. Report, in writing, all defects claimed and include proof of purchase documentation.

# Special Features

FEATURES	ASP	BC	HS	WPG	CH	WH	MO	PS	WS	YC	YCHR	ES
Solid Hardwood Face Frames	◆	◆	◆	◆	◆	◆	◆	◆	◆	◆	◆	◆
¾" Plywood Shelves	◆	◆	◆	◆	◆	◆	◆	◆	◆	◆	◆	◆
No Particle Board	◆	◆	◆	◆	◆	◆	◆	◆	◆	◆	◆	◆
Butt-Style Doors	◆	◆	◆	◆	◆	◆	◆	◆	◆	◆	◆	◆
Stainless Steel Baskets	◆	◆	◆	◆	◆	◆	◆	◆	◆	◆	◆	◆
½" Plywood Construction	◆	◆	◆	◆	◆	◆	◆	◆	◆	◆	◆	◆
Cabinet Box & Shelves Stain Matched	◆	◆	◆	◆	◆	◆	◆	◆	◆	◆	◆	
Natural Wood Box & Shelves			◆									
Engineered HDF/Veneer Center Door Panel	◆					◆		◆	◆			
Raised Panel Doors	◆	◆			◆	◆	◆					
Flat Panel / Shaker Style Doors			◆	◆				◆	◆	◆	◆	◆
European Concealed Hinges					◆	◆	◆					◆
Soft Close Adjustable Concealed Hinges	◆	◆	◆	◆				◆	◆	◆	◆	
¾" Solid Wood Dovetail Drawers	◆	◆	◆	◆	◆	◆	◆	◆	◆	◆	◆	
½" Drawer Box												◆
Full Extension Glides	◆	◆	◆	◆	◆	◆	◆	◆	◆	◆	◆	◆
Side Mount Roller Bearing Drawer Glides						◆						
Side Mount White Epoxy Drawer Glides												◆
Undermount Soft Close Drawer Glides	◆	◆	◆	◆	◆		◆	◆	◆	◆	◆	
Full Overlay	◆	◆	◆	◆				◆	◆	◆	◆	
Partial Overlay					◆	◆	◆					◆
Stain Matched Drawer Boxes & ROTs					◆	◆	◆					
Natural Wood Drawer Boxes & ROTs	◆	◆	◆	◆				◆	◆	◆	◆	◆

## COLOR KEY

Aspen White = ASP	Bristol Chocolate = BC
Hickory Shaker = HS	West Point Grey = WPG
Glazed Cherry = CH	Heritage White = WH
Glazed Mocha = MO	Platinum Shaker = PS
White Shaker = WS	York Coffee = YC
York Cherry = YCHR	Espresso Shaker = ES

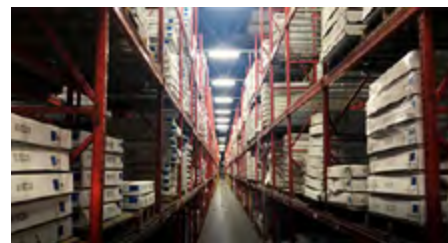
\* ALL ARE UPGRADEABLE TO SOFT CLOSE \*



# Premium Quality Cabinets

## Standard Special Features At No Cost To You

- Solid hardwood door frames and face frames with hardwood or engineered center panels.
  - White Shaker, Aspen White, Heritage White and Platinum Shaker are composed of solid HDF to ensure the highest quality painted shaker style doors.
- Cabinet boxes are ½” plywood construction including sides, tops, and bottoms for lasting durability and strength.
- Most cabinet boxes are match stained and finished inside and out.
- ¾” Plywood shelves are standard in all cabinets.
- Soft Close full extension under mount drawer glides are standard on all lines except Heritage White (which feature 120 lb roller bearing side mount drawer glides) and Espresso Shaker (which features side mount white epoxy drawer glides).
- Soft close door hinges are standard on York Coffee, Bristol Chocolate, York Cherry, Aspen White, West Point Grey, White Shaker, Platinum Shaker and Hickory Shaker.
- York Coffee, Bristol Chocolate, York Cherry, Aspen White, West Point Grey, White Shaker, Platinum Shaker and Hickory Shaker are full overlay cabinet lines.
- Butt-style doors eliminate the center stile between the doors and allow for easier use of the cabinet.
- Stainless steel baskets are standard in all lazy susan cabinets.
- ¾” Hardwood Dovetail Drawer Boxes standard on all except the Espresso Shaker.



**Huge Stock**  
Our fully-stocked 750,000 square foot warehouse means faster fulfillment on most orders.



## Table of Content

<b>Cabinet Styles</b> .....	1-24	<b>Accessories</b> .....	47-55
Aspen White .....	1-2	Lattice Wine Rack .....	47
Bristol Chocolate .....	3-4	Stem Glass Holder .....	48
West Point Grey .....	5-6	Roll Out Trays .....	49
Glazed Cherry .....	7-8	Arched Valance .....	50
Heritage White .....	9-10	Under Counter Knee Drawers .....	50
Glazed Mocha .....	11-12	Appliance Garage .....	51
White Shaker .....	13-14	Corbels .....	51
York Coffee .....	15-16	Plate Rack .....	52
York Cherry .....	17-18	Single Glass Doors .....	53
Espresso Shaker .....	19-20	Set of Double Glass Doors .....	53
Platinum Shaker .....	21-22	Single Glass Diagonal Doors .....	54
Hickory Shaker .....	23-24	Range Hood Fronts .....	55
<b>Walls</b> .....	25-34	<b>Panels, Fillers &amp; Trims</b> .....	57-68
Single Door Wall Cabinets .....	25	Wall End Panel .....	57
Double Doors Wall Cabinets .....	26	Base End Panel .....	57
Blind Corner Wall Cabinets .....	27	Refrigerator End Panel .....	58
Angled End Wall Cabinets .....	28	Fluted Wall Fillers .....	59
Diagonal Corner Wall Cabinets .....	28	Fluted Base Fillers .....	59
Spice Drawers Wall Cabinet .....	29	Wall Fillers .....	60
Microwave Wall Cabinets .....	29	Base Fillers .....	60
Double Decorative Stacker Wall Cabinets .....	31	Decorative Panels .....	61
Single Decorative Stacker Wall Cabinets .....	32	Toe Kick .....	61
Bridge Wall Cabinets .....	33	Island Panel .....	62
Refrigerator Wall Cabinets .....	34	Shoe Molding .....	62
<b>Bases</b> .....	35-43	Rope Insert Molding .....	63
Single Door & Drawer Base Cabinets .....	35	Crown Molding .....	63
Double Doors & Single Drawer Base Cabinets .....	35	Scribe Molding .....	64
Double Doors & Drawers Base Cabinets .....	36	Light Rail Molding .....	64
Drawer Base Cabinets .....	36	Cove Crown Moulding .....	65
Farm Sink Base Cabinet .....	37	Outside Corner Molding .....	65
Sink Base Cabinet .....	37	Wall Skin .....	66
Diagonal Corner Sink Base Cabinet .....	38	Stained Plywood .....	66
Lazy Susan Corner Base Cabinet .....	39	Batten Molding .....	66
Blind Corner Base Cabinet .....	39	Decorative Base Moulding .....	67
Corner Drawers Base Cabinet .....	40	Split Corner Decorative Leg .....	68
Angled End Base Cabinet .....	41	<b>Vanities</b> .....	69-72
Full Height Base Cabinet .....	41	Vanity Drawers Base Cabinet .....	69
Spice Drawers Base Cabinet .....	42	Vanity Sink Base Cabinets .....	70
Base Microwave Cabinet .....	43	Single Door Vanity Cabinets .....	71
<b>Talls</b> .....	45-46	Double Door Vanity Cabinets .....	72
18” Wide Utility Cabinets .....	45	Double Sink Vanity Cabinets .....	72
24” Wide Utility Cabinets .....	45	<b>Miscellaneous</b> .....	73-74
Universal Oven Cabinets .....	46	Touch-Up Kits .....	73
		Display / Sample Doors .....	74
		<b>Index</b> .....	77-92



# Aspen White (ASP)



- Wood Species:**  
Solid Maple / Birch
- FaceFrame:**  
Solid Wood
- Door Style:**  
Raised Panel  
(Engineered HDF Construction)
- Box Construction:**  
1/2" Solid Plywood
- Drawer Glide:**  
Undermount Soft Close
- Drawer Head:**  
5-piece, Matches Door Profile
- Drawer Box:**  
3/4" Solid Wood Dovetail
- Shelves:**  
3/4" Adjustable Shelves
- Hinge:**  
Soft Close 6 Way Adjustable  
Concealed Hinge
- Overlay:**  
Full
- Cabinet Interior:**  
Color Matched Box & Shelves,  
Natural Drawers
- Cabinet Exterior:**  
Color Matched

Due to printing variations the pictures may vary slightly from true cabinet color.

# Aspen White





# West Point Grey (WPG)



**Wood Species:**  
Solid Maple / Birch

**FaceFrame:**  
Solid Wood

**Door Style:**  
Flat Panel w/ Decorative Edge

**Box Construction:**  
1/2" Solid Plywood

**Drawer Glide:**  
Undermount Soft Close

**Drawer Head:**  
5-piece, Matches Door Profile

**Drawer Box:**  
3/4" Solid Wood Dovetail

**Shelves:**  
3/4" Adjustable Shelves

**Hinge:**  
Soft Close 6 Way Adjustable  
Concealed Hinge

**Overlay:**  
Full

**Cabinet Interior:**  
Color Matched Box & Shelves,  
Natural Drawers

**Cabinet Exterior:**  
Color Matched

Due to printing variations the pictures may vary slightly from true cabinet color.

## West Point Grey





## Glazed Mocha (MO)

**Wood Species:**  
Solid Maple / Birch

**FaceFrame:**  
Solid Wood

**Door Style:**  
Raised Panel w/ Glazing

**Box Construction:**  
1/2" Solid Plywood

**Drawer Glide:**  
Undermount Soft Close

**Drawer Head:**  
5-piece, Matches Door Profile

**Drawer Box:**  
3/4" Solid Wood Dovetail

**Shelves:**  
3/4" Adjustable Shelves

**Hinge:**  
6 Way Adjustable European  
Concealed Hinge

**Overlay:**  
Partial

**Cabinet Interior:**  
Color Matched

**Cabinet Exterior:**  
Color Matched



Due to printing variations the pictures may vary slightly from true cabinet color.

## Glazed Mocha





# White Shaker (ws)



- Wood Species:**  
Solid Maple / Birch
- FaceFrame:**  
Solid Wood
- Door Style:**  
Shaker Style  
(Engineered HDF Construction)
- Box Construction:**  
1/2" Solid Plywood
- Drawer Glide:**  
Undermount Soft Close
- Drawer Head:**  
5-piece, Matches Door Profile
- Drawer Box:**  
3/4" Solid Wood Dovetail
- Shelves:**  
3/4" Adjustable Shelves
- Hinge:**  
Soft Close 6 Way Adjustable  
Concealed Hinge
- Overlay:**  
Full
- Cabinet Interior:**  
Color Matched Box & Shelves,  
Natural Drawers
- Cabinet Exterior:**  
Color Matched

Due to printing variations the pictures may vary slightly from true cabinet color.

# White Shaker





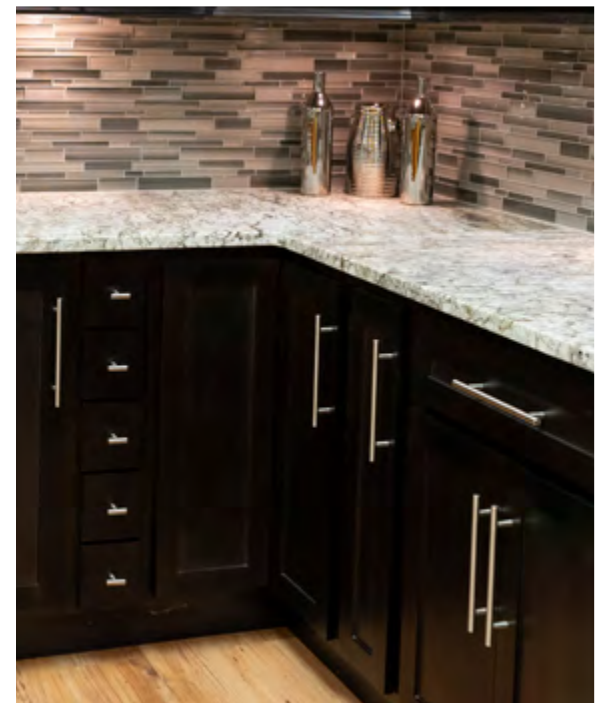
# Espresso Shaker (ES)



- Wood Species:**  
Solid Maple / Birch
- FaceFrame:**  
Solid Wood
- Door Style:**  
Shaker Style
- Box Construction:**  
1/2" Solid Plywood
- Drawer Glide:**  
Side Mount White Epoxy
- Drawer Head:**  
5-piece, Matches Door Profile
- Drawer Box:**  
1/2" Drawer Box
- Shelves:**  
3/4" Adjustable Shelves
- Hinge:**  
European Concealed Hinge
- Overlay:**  
Partial
- Cabinet Interior:**  
Natural Box, Shelves & Drawers
- Cabinet Exterior:**  
Color Matched

Due to printing variations the pictures may vary slightly from true cabinet color.

# Espresso Shaker





# Platinum Shaker (PS)



- Wood Species:**  
Solid Maple / Birch
- FaceFrame:**  
Solid Wood
- Door Style:**  
Shaker Style  
(Engineered HDF Construction)
- Box Construction:**  
1/2" Solid Plywood
- Drawer Glide:**  
Undermount Soft Close
- Drawer Head:**  
5-piece, Matches Door Profile
- Drawer Box:**  
3/4" Solid Wood Dovetail
- Shelves:**  
3/4" Adjustable Shelves
- Hinge:**  
Soft Close 6 Way Adjustable  
Concealed Hinge
- Overlay:**  
Full
- Cabinet Interior:**  
Color Matched Box & Shelves,  
Natural Drawers
- Cabinet Exterior:**  
Color Matched

Due to printing variations the pictures may vary slightly from true cabinet color.

# Platinum Shaker





# Hickory Shaker (HS)



**Wood Species:**  
American Hickory

**FaceFrame:**  
Solid Wood

**Door Style:**  
Shaker Style

**Box Construction:**  
1/2" Solid Hickory

**Drawer Glide:**  
Undermount Soft Close

**Drawer Head:**  
Solid Slab

**Drawer Box:**  
3/4" Solid Wood Dovetail

**Shelves:**  
3/4" Adjustable Shelves

**Hinge:**  
Soft Close 6 Way Adjustable  
Concealed Hinge

**Overlay:**  
Full

**Cabinet Interior:**  
Natural Box, Shelves & Drawers

**Cabinet Exterior:**  
Natural Hickory

If knotty appearance is desired ... applicable end panels must be purchased.  
Due to printing variations the pictures may vary slightly from true cabinet color.

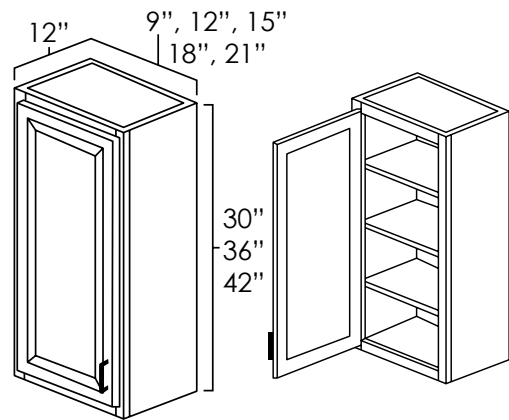
# Hickory Shaker





# SINGLE DOOR WALL CABINETS

SKU: W0930 • W0936 • W0942 • W1230 • W1236 • W1242 • W1530 • W1536 • W1542 • W1830 • W1836  
W1842 • W2130 • W2136 • W2142



**Specifications:**

- » 30" and 36" tall cabinets have two adjustable shelves.
- » 42" tall cabinets have three adjustable shelves.
- » Doors may be replaced with corresponding glass door (see page 53).
- » *For SKU ordering info see page 77*

ASP	BC	HS	WPG	CH	WH	MO	PS	WS	YC	YCHR	ES
◆	◆	◆	◆	◆	◆	◆	◆	◆	◆	◆	◆



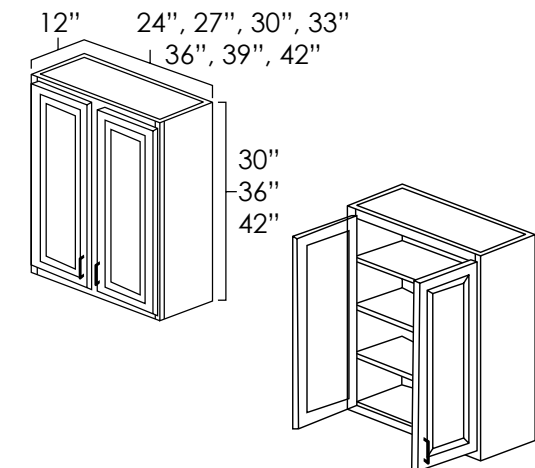
# DOUBLE DOOR WALL CABINETS

SKU: W2430 • W2436 • W2442 • W2730 • W2736 • W2742 • W3030  
W3036 • W3042 • W3330 • W3336 • W3342 • W3630 • W3636 • W3642  
W3930 • W3936 • W3942 • W4230 • W4236 • W4242

**Specifications:**

- » 30" and 36" tall cabinets have two adjustable shelves.
- » 42" tall cabinets have three adjustable shelves.
- » Butt doors on cabinets are 24" though 36" wide.
- » Doors may be replaced with corresponding set of double glass doors (see page 54).
- » *For SKU ordering info see page 78*

ASP	BC	HS	WPG	CH	WH	MO	PS	WS	YC	YCHR	ES
◆	◆	◆	◆	◆	◆	◆	◆	◆	◆	◆	◆



WALLS

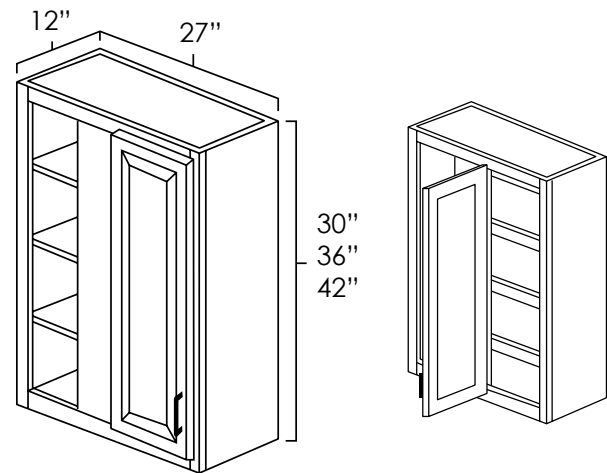
WALLS





# BLIND CORNER WALL CABINETS

SKU: WBC2730 • WBC2736 • WBC2742



**Specifications:**

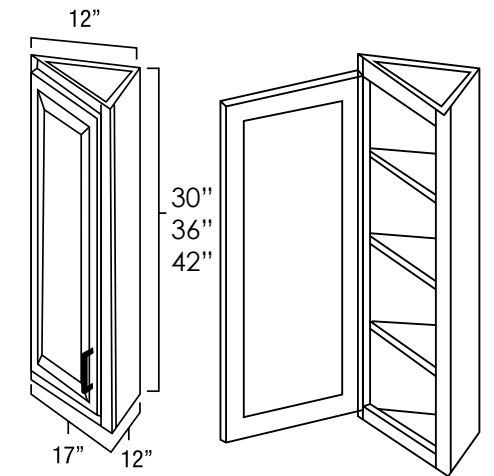
- » 30" and 36" tall cabinets have two adjustable shelves.
- » 42" tall cabinets have three adjustable shelves.
- » For SKU ordering info see page 79

ASP	BC	HS	WPG	CH	WH	MO	PS	WS	YC	YCHR	ES
◆	◆	◆	◆	◆	◆	◆	◆	◆	◆	◆	◆



# ANGLED END WALL CABINETS

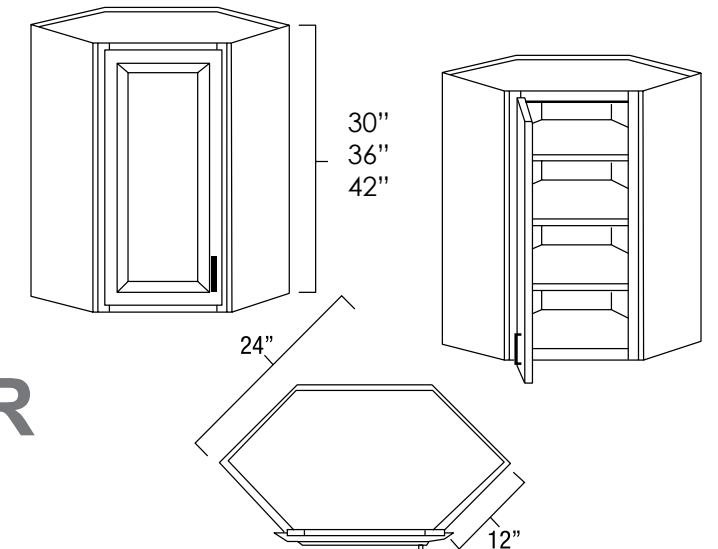
SKU: WCA1230 • WCA1236 • WCA1242



**Specifications:**

- » 30" and 36" tall cabinets have two adjustable shelves.
- » 42" tall cabinets have three adjustable shelves.
- » For SKU ordering info see page 79

ASP	BC	HS	WPG	CH	WH	MO	PS	WS	YC	YCHR	ES
◆	◆	◆	◆	◆	◆	◆	◆	◆	◆	◆	N/A



# DIAGONAL CORNER WALL CABINETS

SKU: WDC2430 • WDC2436 • WDC2442 • WDC42PG • WDC42BG

**Specifications:**

- » 30" and 36" tall cabinets have two adjustable shelves.
- » 42" tall cabinets have three adjustable shelves.
- » Door may be replaced with corresponding diagonal glass door (see page 55).
- » For SKU ordering info see page 78

WDC2430 • WDC2436 • WDC2442

ASP	BC	HS	WPG	CH	WH	MO	PS	WS	YC	YCHR	ES
◆	◆	◆	◆	◆	◆	◆	◆	◆	◆	◆	◆

WDC42PG • With Plain Glass (PG)

ASP	BC	HS	WPG	CH	WH	MO	PS	WS	YC	YCHR	ES
◆	N/A	◆	◆	N/A	N/A	N/A	◆	◆	N/A	N/A	N/A

WDC42BG • With Beveled Glass (BG)

ASP	BC	HS	WPG	CH	WH	MO	PS	WS	YC	YCHR	ES
N/A	◆	N/A	N/A	◆	◆	◆	N/A	N/A	◆	◆	N/A

WALLS

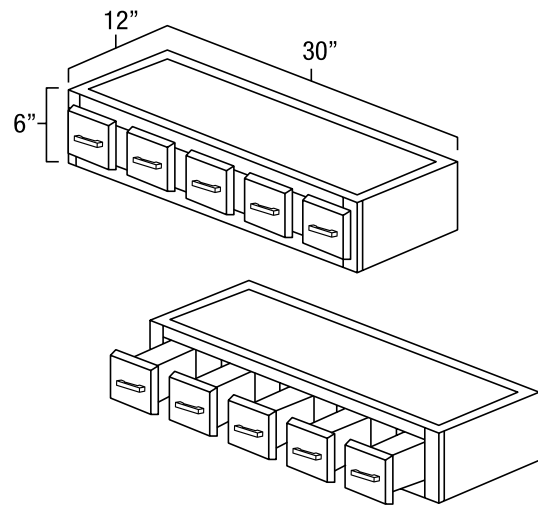
WALLS





# SPICE DRAWER WALL CABINETS

SKU: WSC30



**Specifications:**

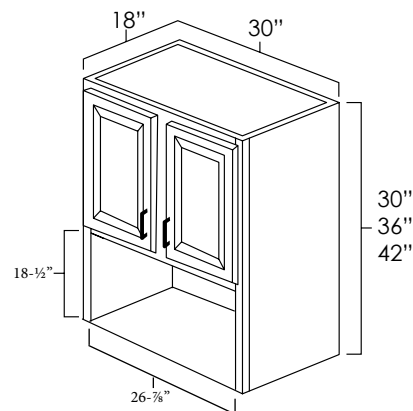
- » This cabinet does not come with any drawer slides.
- » The interior is finished and the cabinet can be used without the drawers as a wine rack.
- » The drawers cannot be turned. If drawers are used the cabinet must be installed horizontally for them to function properly.
- » For SKU ordering info see page 79

ASP	BC	HS	WPG	CH	WH	MO	PS	WS	YC	YCHR	ES
◆	◆	◆	◆	◆	◆	◆	◆	◆	◆	◆	N/A



# MICROWAVE WALL CABINETS

SKU: WSC30



**Specifications:**

- » This cabinet is designed for "counter" style microwaves.
- » There are no shelves in this cabinet.
- » Opening width is 26-7/8".
- » Opening height is 18-1/2".
- » Shelf depth is 20".
- » Cabinet depth is 18".
- » Butt doors on all microwave cabinets.
- » For SKU ordering info see page 80

ASP	BC	HS	WPG	CH	WH	MO	PS	WS	YC	YCHR	ES
◆	◆	◆	◆	◆	◆	◆	◆	◆	◆	◆	N/A





Cabinet Specifications

# DOUBLE DECORATIVE STACKER BOXES

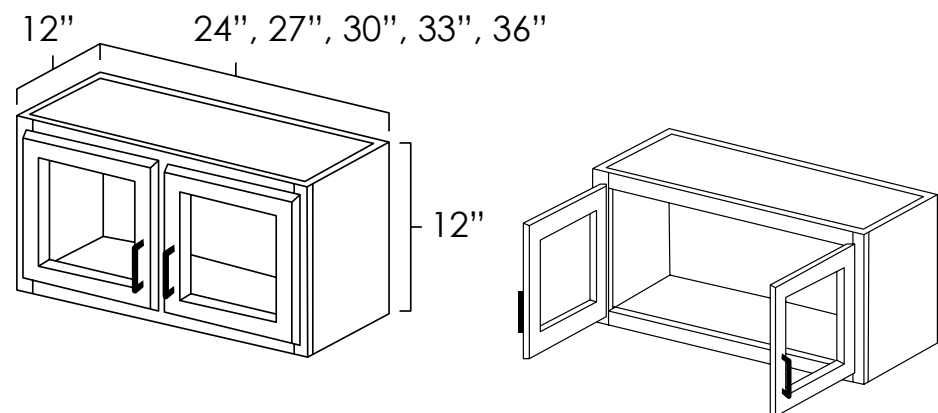
SKU: W2421BG • W2721BG • W3012BG • W3312BG • W3612BG • W2412PG • W2712PG • W3012PG • W3312PG • W3612PG

Specifications:

- » Doors have beveled glass or plain glass fronts.
- » These cabinets are shipped pre-assembled.
- » Butt doors on all double door stacker cabinets.
- » For SKU ordering info see page 80

With Beveled Glass (BG) • With Plain Glass (PG)

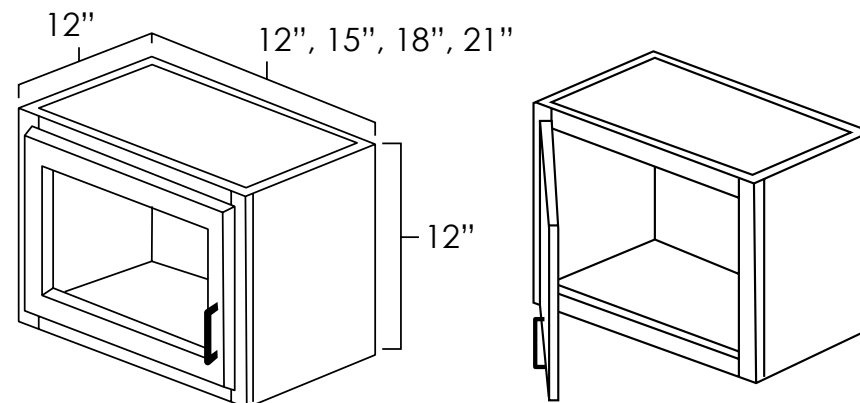
	ASP	BC	HS	WPG	CH	WH	MO	PS	WS	YC	YCHR	ES
BC	N/A	◆	N/A	N/A	◆	◆	◆	N/A	N/A	◆	◆	N/A
PG	◆	N/A	◆	◆	N/A	N/A	N/A	◆	◆	N/A	N/A	N/A



A double decorative stacker wall cabinet has been stacked on top of a bridge wall cabinet above a refrigerator. Shown here in Heritage White.

# SINGLE DECORATIVE STACKER WALL CABINETS

SKU: W1212BG • W1512BG • W1812BG • W2112BG • W1212PG • W1512PG • W1812PG • W2112PG



Specifications:

- » Doors have beveled glass or plain glass fronts.
- » These cabinets are shipped pre-assembled.
- » Butt doors on all double door stacker cabinets.
- » For SKU ordering info see page 80

With Beveled Glass (BG) • With Plain Glass (PG)

	ASP	BC	HS	WPG	CH	WH	MO	PS	WS	YC	YCHR	ES
BC	N/A	◆	N/A	N/A	◆	◆	◆	N/A	N/A	◆	◆	N/A
PG	◆	N/A	◆	◆	N/A	N/A	N/A	◆	◆	N/A	N/A	N/A

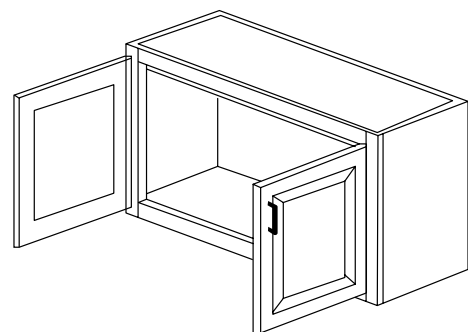
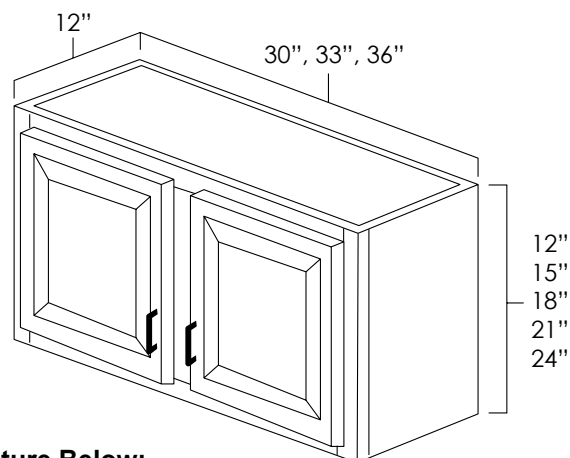


# BRIDGE WALL CABINETS

SKU: W3012 • W3312 • W3612 • W3015 • W3315 • W3615 • W3018 • W3318 • W3618 • W3021 • W3321 • W3621 • W3024 • W3324 • W3624

**Specifications:**

- » 24" tall cabinets have one adjustable shelf.
- » The remaining heights have no shelves.
- » Butt doors on cabinets are 24" through 36" wide.
- » For SKU ordering info see page 79



**Picture Below:**

A bridge cabinet in Glazed Mocha has been used above a lattice wine rack with a stem glass holder attached. All cabinets are shown with crown molding that have been painted black with optional rope molding inserted for added detail. The wall cabinets to the left and right of the wine rack and bridge cabinets are shown with light rail that has been painted black to match the crown.

SKU: W3012 • W3612 • W3015 • W3615 • W3018 • W3618 • W3021 • W3621 • W3024 • W3624

ASP BC HS WPG CH WH MO PS WS YC YCHR ES



SKU: W3312 • W3315 • W3318 • W3321 • W3324

ASP BC HS WPG CH WH MO PS WS YC YCHR ES

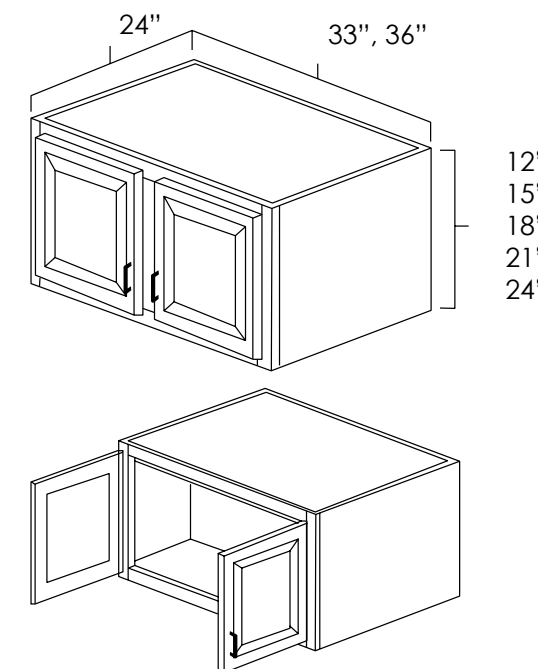


**Picture Above:**

A bridge cabinet in White Shaker has been used below a wall cabinet to provide extra storage room at countertop height.

# REFRIGERATOR WALL CABINETS

SKU: WR3315 • WR3324 • WR3612 • WR3615 • WR3618 • WR3621 • WR3624



**Specifications:**

- » 24" tall cabinets have one adjustable shelf.
- » Remaining heights have no shelves.
- » 33" wide cabinets are available only in 15" and 24" heights.
- » Butt doors on all refrigerator wall cabinets.
- » For SKU ordering info see page 77

SKU: WR3315 • WR3324 • WR3615 • WR3621

ASP BC HS WPG CH WH MO PS WS YC YCHR ES



SKU: WR3612 • WR3618 • WR3624

ASP BC HS WPG CH WH MO PS WS YC YCHR ES



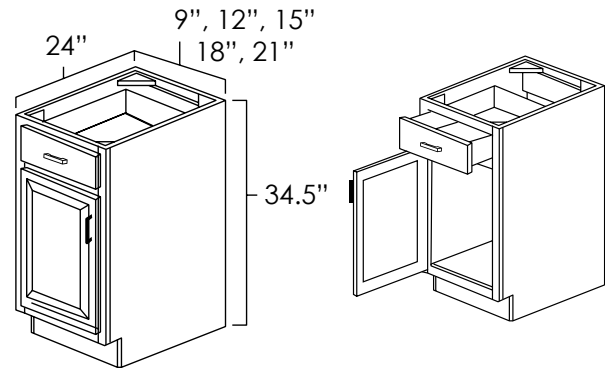
**Picture:**

A refrigerator cabinet is shown in West Point Grey in between two 24" Utility cabinets. To complete the look crown molding has been added.



# SINGLE DOOR SINGLE DRAWER BASE CABINETS

SKU: B12 • B15 • B18 • B21



**Specifications:**

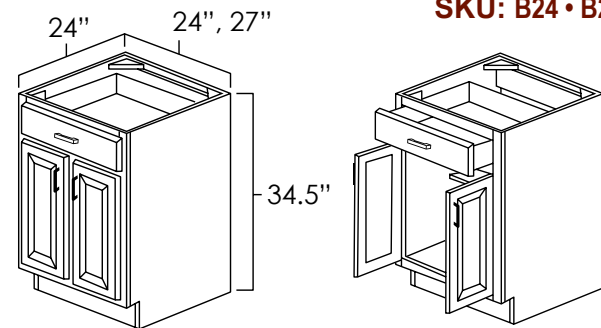
- » 1/2 depth adjustable shelf.
- » For SKU ordering info see page 81

ASP	BC	HS	WPG	CH	WH	MO	PS	WS	YC	YCHR	ES
◆	◆	◆	◆	◆	◆	◆	◆	◆	◆	◆	◆



# DOUBLE DOORS SINGLE DRAWER BASE CABINET

SKU: B24 • B27



**Specifications:**

- » 1/2 depth adjustable shelf.
- » Butt doors on both 24" and 27" wide bases.
- » For SKU ordering info see page 81

ASP	BC	HS	WPG	CH	WH	MO	PS	WS	YC	YCHR	ES
◆	◆	◆	◆	◆	◆	◆	◆	◆	◆	◆	◆

# DOUBLE DOORS & DRAWER BASE CABINETS

SKU: DB12 • DB15 • DB18 • DB21 • DB24 • DB30 • DB36

**Specifications:**

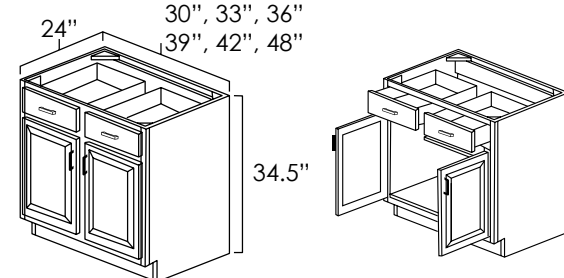
- » Heritage White, Glazed Cherry, Glazed Mocha, York Coffee, Bristol Chocolate, York Cherry, West Point Grey, Aspen White and White Shaker have one standard drawer on top and two deep drawers below.
- » All drawer bases have a small top drawer and two larger bottom drawers
- » For SKU ordering info see page 81

SKU: B30 • B33 • B36 • B39 • B42 • B48

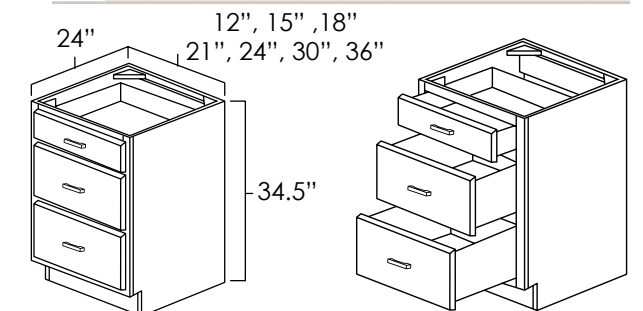
**Specifications:**

- » 1/2" depth adjustable shelf.
- » Butt doors on 30" through 36" wide bases.
- » For SKU ordering info see page 81

ASP	BC	HS	WPG	CH	WH	MO	PS	WS	YC	YCHR	ES
◆	◆	◆	◆	◆	◆	◆	◆	◆	◆	◆	◆
ASP	BC	HS	WPG	CH	WH	MO	PS	WS	YC	YCHR	ES
◆	◆	◆	◆	◆	◆	◆	◆	◆	◆	◆	◆



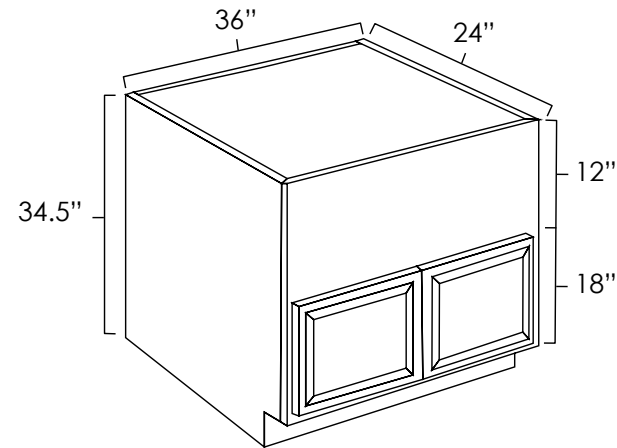
ASP	BC	HS	WPG	CH	WH	MO	PS	WS	YC	YCHR	ES
N/A	◆	◆	◆	◆	◆	◆	◆	◆	◆	◆	◆





## FARM SINK BASE CABINETS

SKU: FSB36



### Specifications:

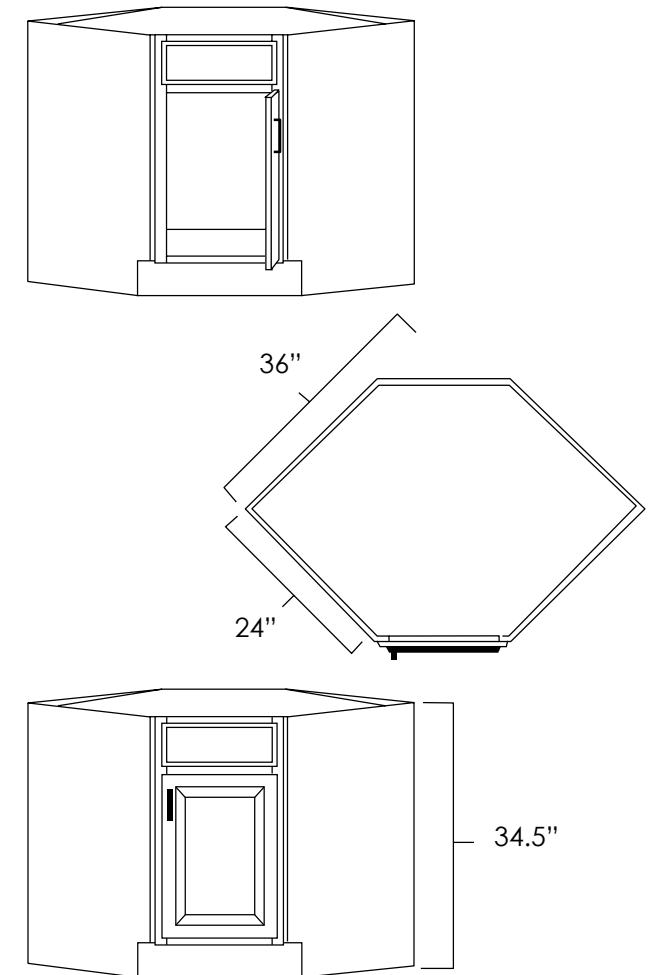
- » 18" high cabinet doors.
- » There are no shelves or drawers in this cabinet.
- » For SKU ordering info see page 82

ASP	BC	HS	WPG	CH	WH	MO	PS	WS	YC	YCHR	ES
◆	◆	◆	◆	◆	◆	◆	◆	◆	◆	◆	◆



## DIAGONAL CORNER SINK BASE CABINET

SKU: DCB36



### Specifications:

- » There are no shelves in this cabinet.
- » There are no drawers in this cabinet.
- » For SKU ordering info see page 82

ASP	BC	HS	WPG	CH	WH	MO	PS	WS	YC	YCHR	ES
◆	◆	◆	◆	◆	◆	◆	◆	◆	◆	◆	◆

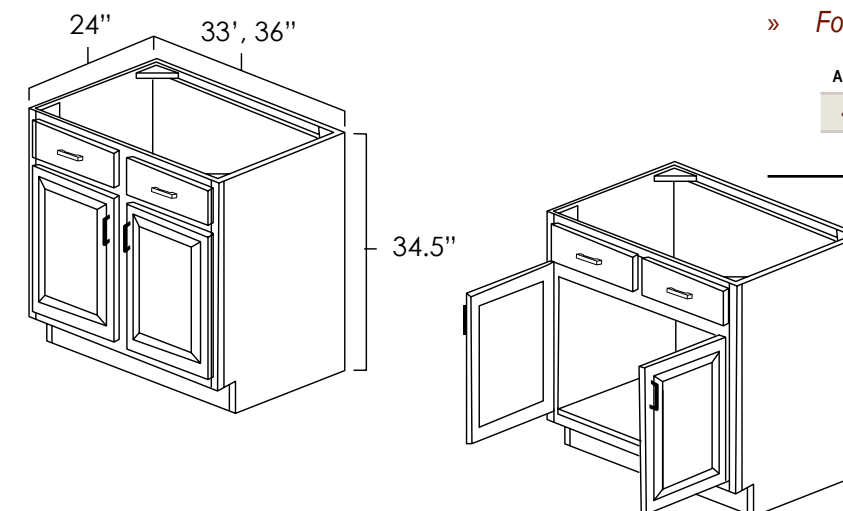
## SINK BASE CABINETS

SKU: SB33 • SB36

### Specifications:

- » There are no shelves in this cabinet.
- » There are no drawers in this cabinet.
- » Butt doors on this 33" or 36" wide cabinet.
- » Any base may be used as a sink base by simply not installing the drawer hardware and attaching only the drawer faces to the cabinet as false fronts.
- » For SKU ordering info see page 82

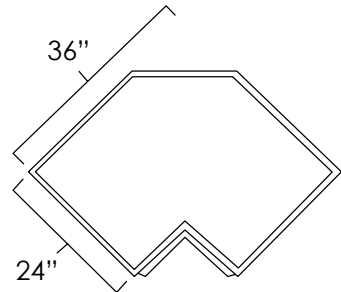
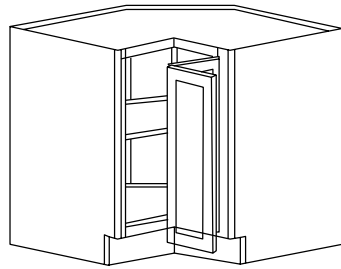
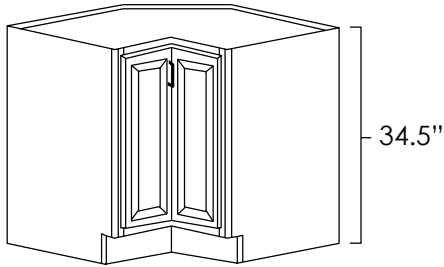
ASP	BC	HS	WPG	CH	WH	MO	PS	WS	YC	YCHR	ES
◆	◆	◆	◆	◆	◆	◆	◆	◆	◆	◆	◆





# LAZY SUSAN CORNER BASE CABINETS

SKU: LS3312 • LS3612



## Specifications:

- Stainless steel baskets are standard.
- There are two baskets per cabinet.
- Both baskets are height adjustable.
- Lazy susan doors may be mounted to open right or left.

» For SKU ordering info see page 82

ASP BC HS WPG CH WH MO PS WS YC YCHR ES



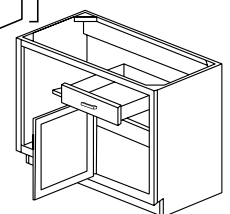
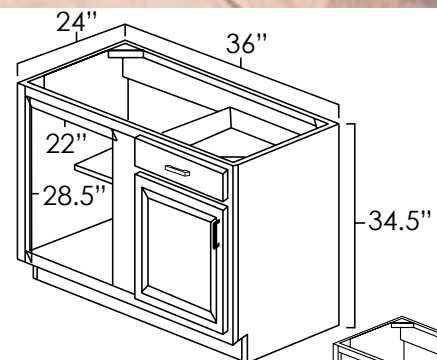
# BLIND CORNER BASE CABINETS

SKU: BBC36

## Specifications:

- » Adjustable to 45" wide.
- » May not be pulled farther than 9".
- » 12 7/8" door overlays 11 7/8" frame opening.
- » May be used as a right (R) or left (L) blind setup.
- » Full overlay cabinets must be pulled a minimum of 4" and remaining styles must be pulled a minimum of 3". May be necessary to pull further to allow clearance for door and drawer hardware.

» For SKU ordering info see page 82



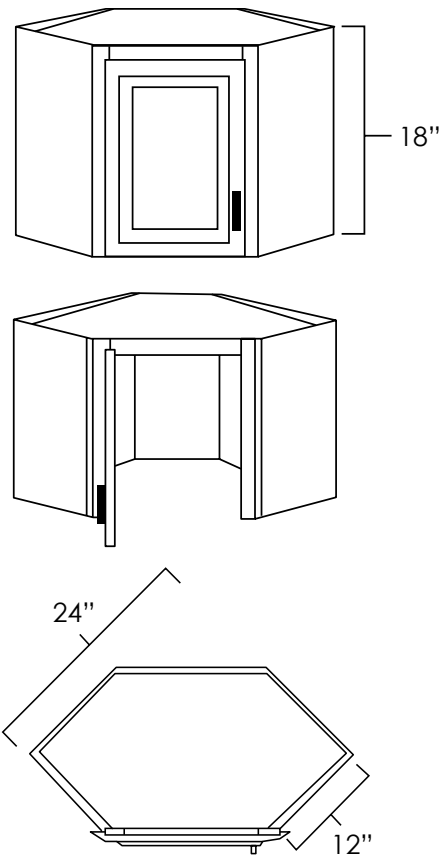
ASP BC HS WPG CH WH MO PS WS YC YCHR ES





# APPLIANCE GARAGE

SKU: AG2418



## Specifications:

- » Designed for installation on countertop.
- » Fits directly below a wall diagonal corner cabinet.
- » There are no shelves in this cabinet.
- » For SKU ordering info see page 85

ASP	BC	HS	WPG	CH	WH	MO	PS	WS	YC	YCHR	ES
♦	♦	♦	♦	♦	♦	♦	♦	♦	♦	♦	N/A

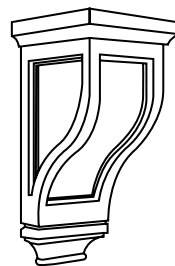
# CORBELS

SKU: CBLPN2 • CBLPN3

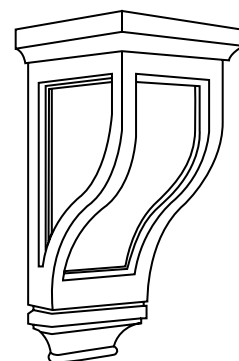
## Specifications:

- » Available in 2 size options
- » For SKU ordering info see page 86

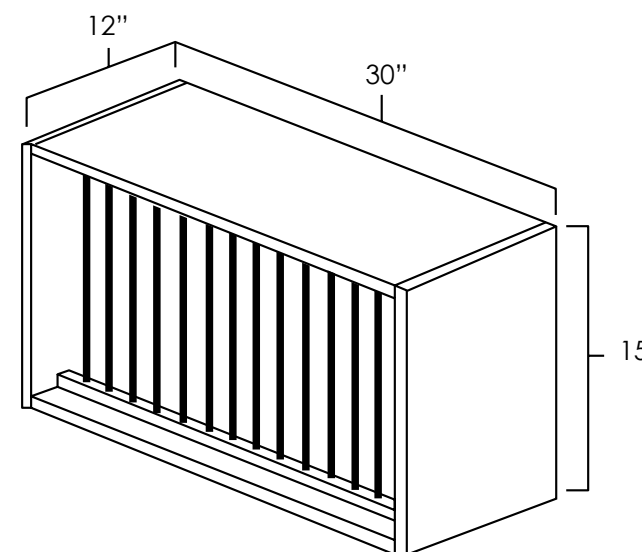
ASP	BC	HS	WPG	CH	WH	MO	PS	WS	YC	YCHR	ES
♦	♦	♦	♦	♦	♦	♦	♦	♦	♦	♦	N/A



**Small**  
Width: 4-3/4"  
Depth: 5"  
Height: 9-1/2"



**Large**  
Width: 6-1/4"  
Depth: 6-1/2"  
Height: 13-1/4"



## Specifications:

- » Will hold 10 plates.
- » Plate rack may also be used with wall cabinets.
- » For SKU ordering info see page 52

ASP	BC	HS	WPG	CH	WH	MO	PS	WS	YC	YCHR	ES
♦	♦	♦	♦	♦	♦	♦	♦	♦	♦	♦	N/A

# Accessories

## PLATE RACK

SKU: PR3015



ACCESSORIES

ACCESSORIES



# SINGLE GLASS DOORS

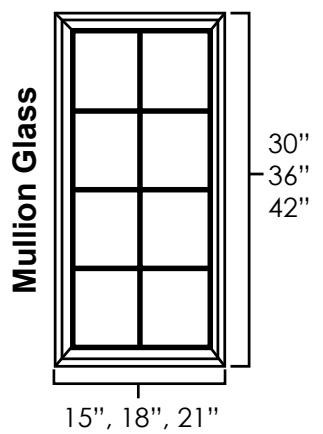
SKU: MD1530 • MD1830 • MD2130 • MD1536 • MD1836 • MD2136 • MD1542 • MD1842 • MD2142 • PG1530 • PG1830 • PG2130 • PG1536 • PG1836 • PG2136 • PG1542 • PG1842 • PG2142

# Accessories



ACCESSORIES

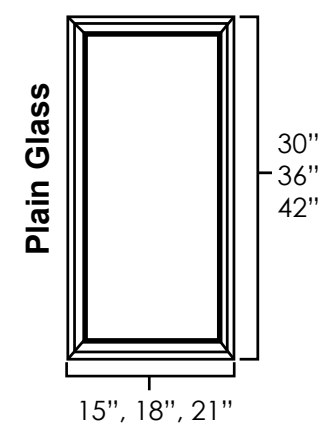
ACCESSORIES



**Specifications:**

- » Match the profile of the selected door style.
- » The information following MD in the sku indicate the size / type of cabinet the door will fit.  
EX: MD2442 fits a W2442.  
EX: MDWDC36 fits a WDC2436.
- » 30" and 36" high cabinets will have 6 panes while 42" high cabinets will have 8.
- » For SKU ordering info see page 86

MD (Mullion)												PG (Plain Glass)											
ASP	BC	HS	WPO	CH	WH	MO	PS	WS	YC	YCHR	ES	ASP	BC	HS	WPO	CH	WH	MO	PS	WS	YC	YCHR	ES
N/A	+	N/A	N/A	+	+	N/A	+	+	+	+	N/A	N/A	N/A	+	N/A	N/A	N/A	N/A	+	N/A	N/A	N/A	N/A

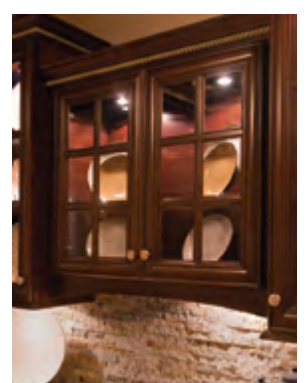


# SINGLE GLASS DIAGONAL DOORS

SKU: MDWDC30 • MDWDC36 • MDWDC42 • PGWDC30 • PGWDC36 • PGWDC42

# SET OF DOUBLE GLASS DOORS

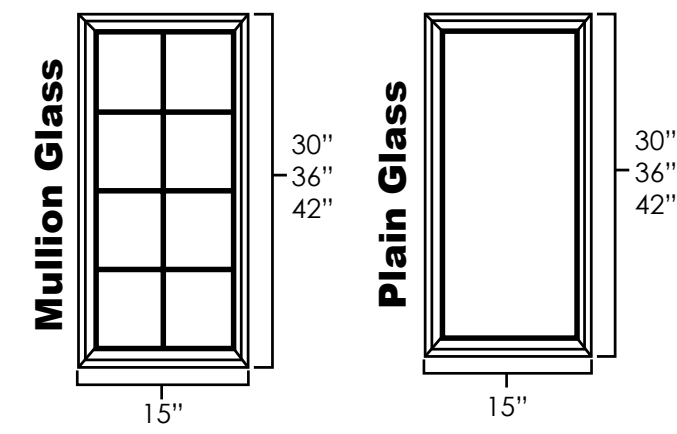
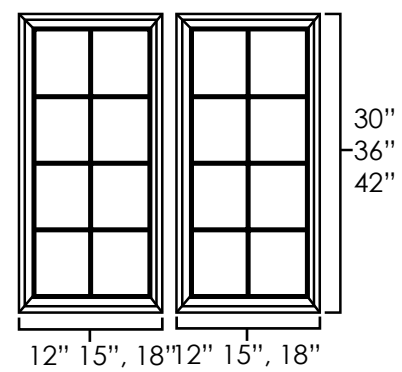
SKU: MD2430 • MD3030 • MD3630 • MD2436 • MD3036 • MD3636 • MD2442 • MD3042 • MD3642 • PG2430 • PG3030 • PG3630 • PG2436 • PG3036 • PG3636 • PG2442 • PG3042 • PG3642



**Specifications:**

- » Match the profile of the selected door style.
- » The information following MD in the sku indicate the size / type of cabinet the door will fit.  
EX: MD2442 fits a W2442.  
EX: MDWDC36 fits a WDC2436.
- » 30" and 36" high cabinets will have 6 panes while 42" high cabinets will have 8.
- » For SKU ordering info see page 87

MD (Mullion)												PG (Plain Glass)											
ASP	BC	HS	WPO	CH	WH	MO	PS	WS	YC	YCHR	ES	ASP	BC	HS	WPO	CH	WH	MO	PS	WS	YC	YCHR	ES
N/A	+	N/A	N/A	+	+	N/A	+	+	+	+	N/A	N/A	N/A	+	N/A	N/A	N/A	N/A	+	N/A	N/A	N/A	N/A



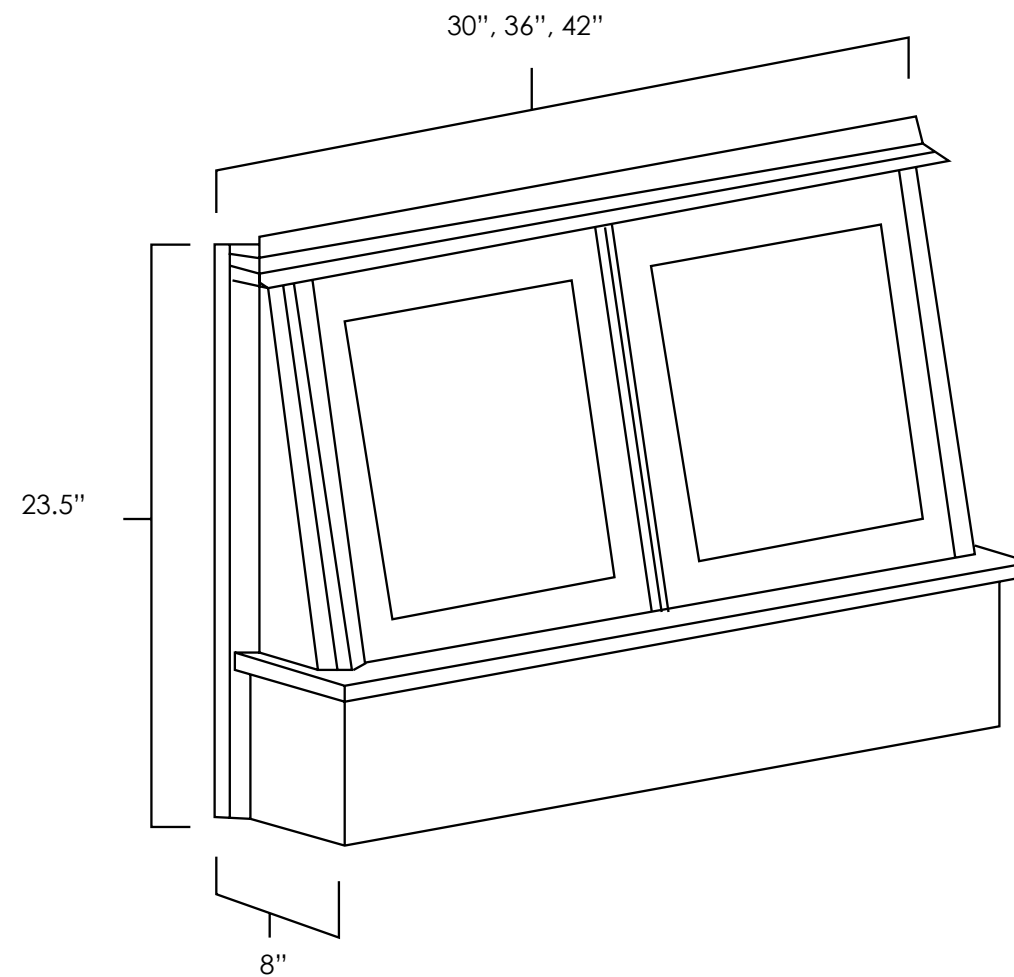
» For SKU ordering info see page 87

MD (Mullion)												PG (Plain Glass)											
ASP	BC	HS	WPO	CH	WH	MO	PS	WS	YC	YCHR	ES	ASP	BC	HS	WPO	CH	WH	MO	PS	WS	YC	YCHR	ES
N/A	+	N/A	N/A	+	+	N/A	+	+	+	+	N/A	N/A	N/A	+	N/A	N/A	N/A	N/A	+	N/A	N/A	N/A	N/A



# RANGE HOOD FRONTS

SKU: RHF30 • RHF36 • RHF42



**Specifications:**

- » Heritage White, Glazed Mocha, and Glazed Cherry have all size range hood fronts available.
- » Bristol Chocolate, York Coffee, York Cherry, West Point Grey, Aspen White, Platinum Shaker, Hickory Shaker and White Shaker have RHF30 and RHF36 available only.
- » Must be installed between two cabinets for support.
- » Before installation of the RHF occurs, the blower should be installed and the depth adjusted using fillers and/or panels to fit the blower.
- » Not available in Espresso Shaker.
- » **INSTALL BLOWER FIRST**
- » For SKU ordering info see page 86

SKU: RHF30 • RHF36

SKU: RHF42

ASP	BC	HS	WPG	CH	WH	MO	PS	WS	YC	YCHR	ES
N/A	♦	N/A	N/A	♦	♦	♦	N/A	♦	♦	♦	N/A

ASP	BC	HS	WPG	CH	WH	MO	PS	WS	YC	YCHR	ES
N/A	♦	N/A	N/A	♦	♦	♦	N/A	♦	♦	♦	N/A



ACCESSORIES

ACCESSORIES



# Panels, Fillers & Trims

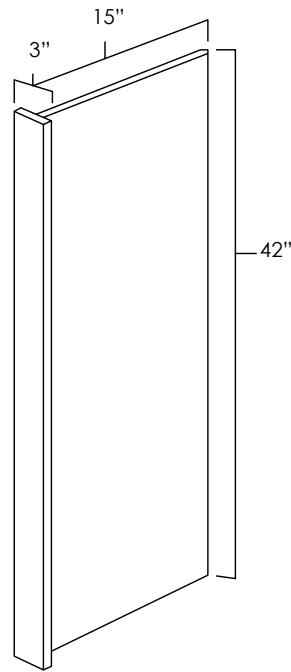
## WALL END PANEL

SKU: WEP1542



### Specifications:

- » 1/2" thick panel with a 3" wide wall filler on the front.
- » Can be trimmed to desired height and/or width.
- » May be used either left or right.
- » For SKU ordering info see page 88



ASP	BC	HS	WPG	CH	WH	MO	PS	WS	YC	YCHR	ES
♦	♦	♦	♦	♦	♦	♦	♦	♦	♦	♦	N/A

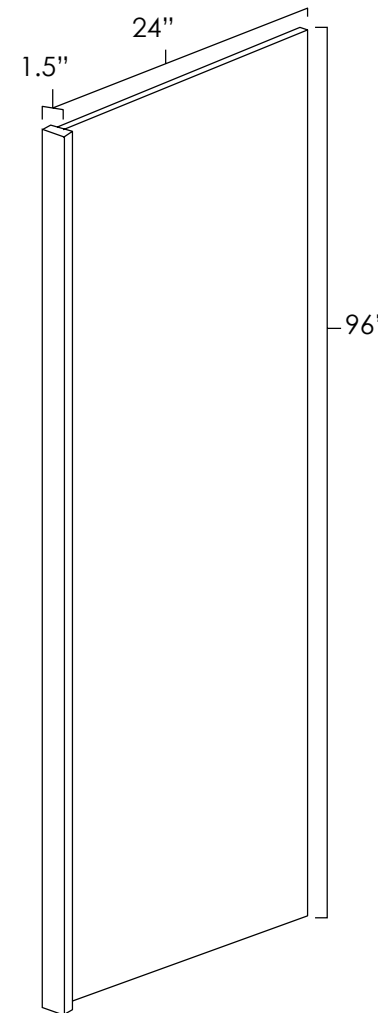
## REFRIGERATOR END PANEL

SKU: REP9624

### Specifications:

- » 1/2" thick panel with a 1 1/2" wide filler on the front.
- » Can be trimmed to desired height and/or width.
- » May be used either left or right.
- » For SKU ordering info see page 88

ASP	BC	HS	WPG	CH	WH	MO	PS	WS	YC	YCHR	ES
♦	♦	♦	♦	♦	♦	♦	♦	♦	♦	♦	♦



### Picture to the right

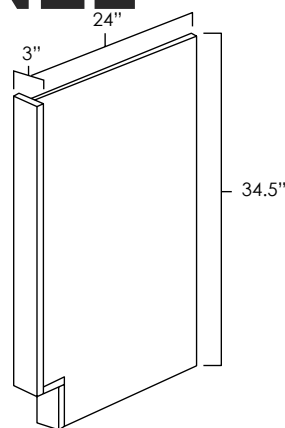
A refrigerator end panel is used on the side of the fridge with three decorative panels pictured in Bristol Chocolate.

## BASE END PANEL

SKU: BEP3

### Specifications:

- » 1/2" thick panel with a 3" wide base filler on the front.
- » May be used either left or right.
- » For SKU ordering info see page 88



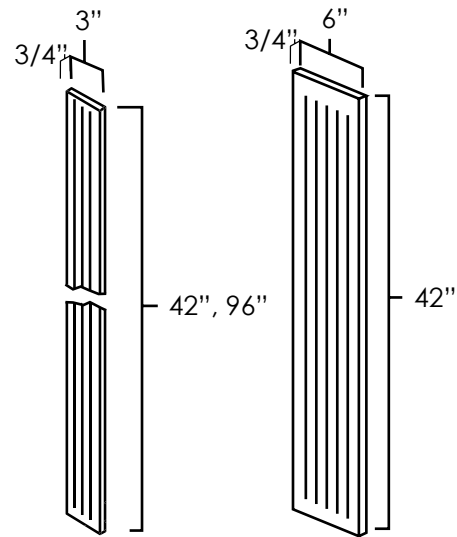
ASP	BC	HS	WPG	CH	WH	MO	PS	WS	YC	YCHR	ES
♦	♦	♦	♦	♦	♦	♦	♦	♦	♦	♦	♦





# FLUTED WALL FILLERS

SKU: WFF342 • WFF642 • WFF396



## Specifications:

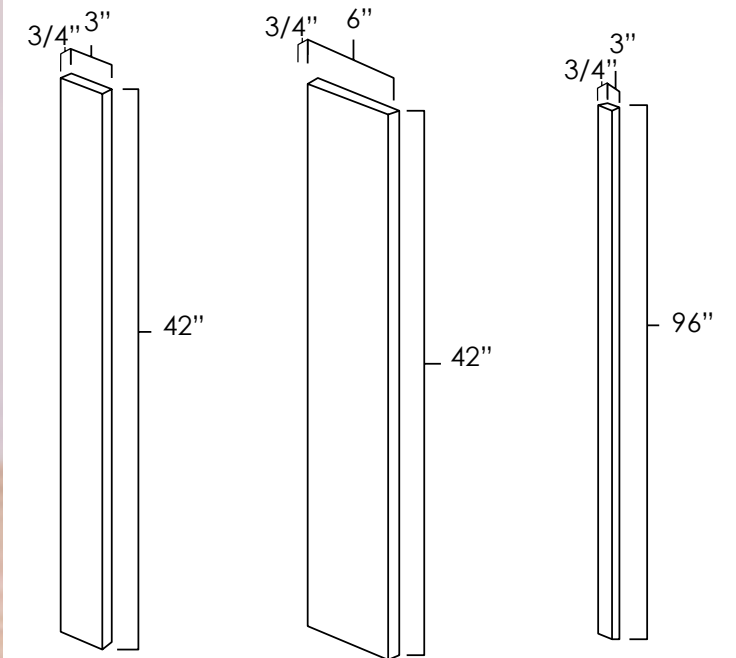
- » 3/4" thick.
- » Can be trimmed to desired height.
- » 3" wide fillers have 3 flutes.
- » 6" wide fillers have 5 flutes.
- » Flutes begin 1.5" from the top and end 1.5" from the bottom.
- » For SKU ordering info see page 88

ASP	BC	HS	WPG	CH	WH	MO	PS	WS	YC	YCHR	ES
♦	♦	♦	♦	♦	♦	♦	♦	♦	♦	♦	N/A



# Panels, Fillers & Trims WALL FILLERS

SKU: WF342 • WF642 • WF396



## Specifications:

- » 3/4" thick.
- » Can be trimmed to desired height and/or width.
- » For SKU ordering info see page 88

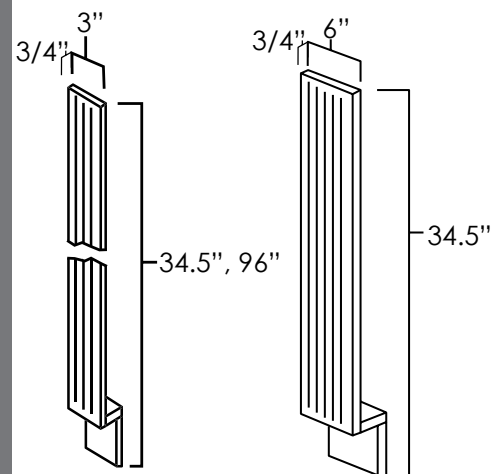
ASP	BC	HS	WPG	CH	WH	MO	PS	WS	YC	YCHR	ES
♦	♦	♦	♦	♦	♦	♦	♦	♦	♦	♦	♦

# FLUTED BASE FILLERS

SKU: BFF3 • BFF6 • TFF396

## Specifications:

- » 3/4" thick.
- » Can be trimmed to desired height.
- » 3" wide fillers have 3 flutes.
- » 6" wide fillers have 5 flutes.
- » Flutes begin 1.5" from the top and end 1.5" from the bottom.
- » The toe kick area is not fluted.
- » For SKU ordering info see page 88



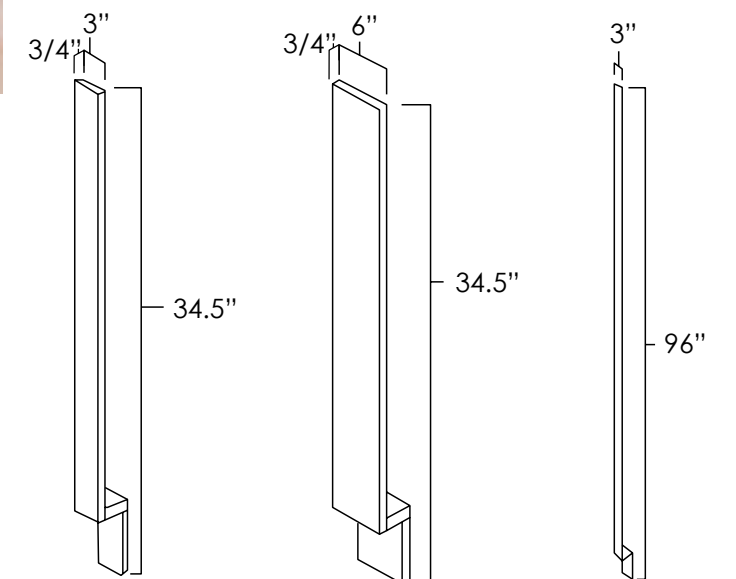
# BASE FILLERS

SKU: BF3 • BF6 • TF396

## Specifications:

- » 3/4" thick.
- » Can be trimmed to desired height and/or width.
- » For SKU ordering info see page 89

ASP	BC	HS	WPG	CH	WH	MO	PS	WS	YC	YCHR	ES
♦	♦	♦	♦	♦	♦	♦	♦	♦	♦	♦	♦

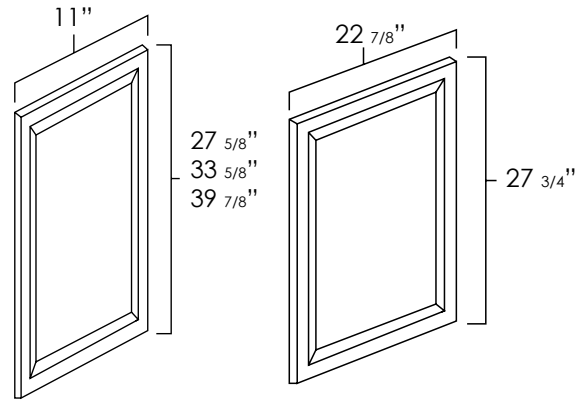


ASP	BC	HS	WPG	CH	WH	MO	PS	WS	YC	YCHR	ES
♦	♦	♦	♦	♦	♦	♦	♦	♦	♦	♦	N/A



# DECORATIVE END PANELS

SKU: DP1230 • DP1236 • DP1242 • DP2430



## Specifications:

- » These three panel sizes will resemble the wall cabinet doors.
- » The last two digits in the item number indicate the height of wall cabinet these panels will fit. Ex: DP1236 will fit the side of a W1236.
- » For SKU ordering info see page 89

ASP	BC	HS	WPG	CH	WH	MO	PS	WS	YC	YCHR	ES
♦	♦	♦	♦	♦	♦	♦	♦	♦	♦	♦	♦

# TOE KICK

SKU: TK8

## Specifications:

- » 1/4" thick.
- » Can be cut to fit.
- » For SKU ordering info see page 89

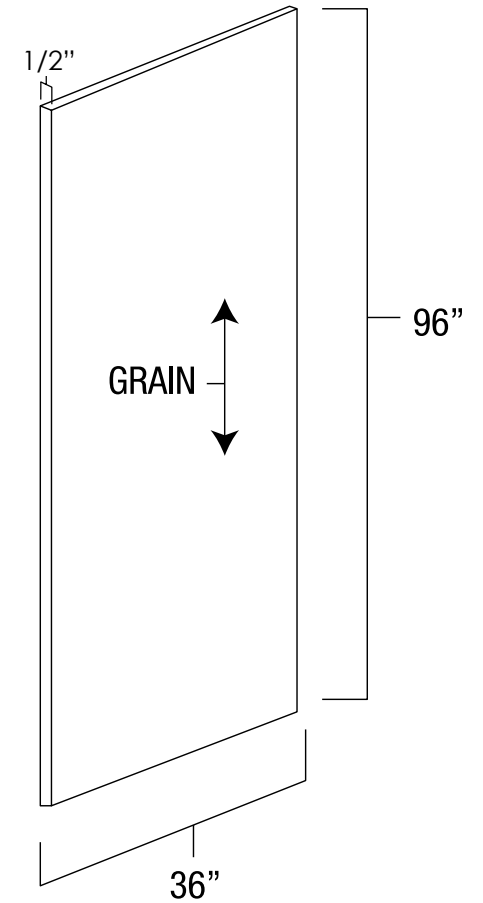
ASP	BC	HS	WPG	CH	WH	MO	PS	WS	YC	YCHR	ES
♦	♦	♦	♦	♦	♦	♦	♦	♦	♦	♦	♦



# Panels, Fillers & Trims

## ISLAND PANELS

SKU: IS3696



## Specifications:

- » 1/2" thick.
- » Can be trimmed to desired height and/or width.
- » For SKU ordering info see page 89

ASP	BC	HS	WPG	CH	WH	MO	PS	WS	YC	YCHR	ES
♦	♦	♦	♦	♦	♦	♦	♦	♦	♦	♦	♦

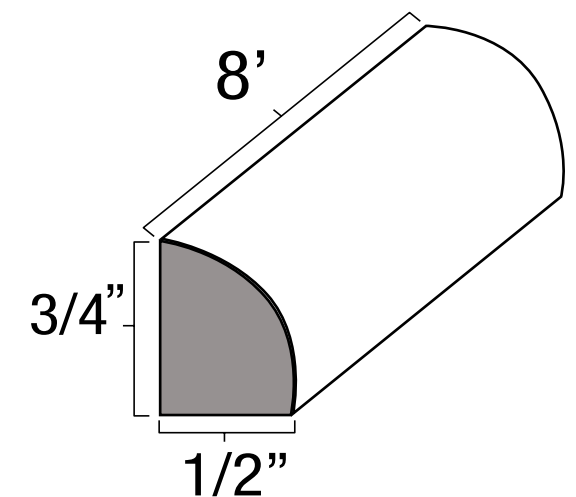
# SHOE MOULDING

SKU: SHM8

## Specifications:

- » 3/4" tall
- » 1/2" thick
- » Can be trimmed to desired height and/or width.
- » For SKU ordering info see page 89

ASP	BC	HS	WPG	CH	WH	MO	PS	WS	YC	YCHR	ES
♦	♦	♦	♦	♦	♦	♦	♦	♦	♦	♦	♦





## ROPE INSERT MOULDING

SKU: ROPE8



ASP	BC	HS	WPG	CH	WH	MO	PS	WS	YC	YCHR	ES
◆	◆	◆	◆	◆	◆	◆	◆	◆	◆	◆	N/A

### Specifications:

- » Sold in 8 ft long sections.
- » 9/16th of an inch wide.
- » 1/4 inch thick.
- » Crown molding insert.
- » For SKU ordering info see page 89



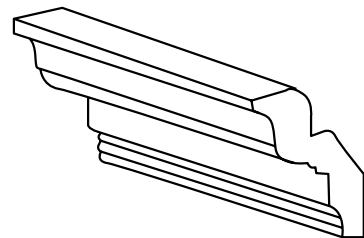
### Picture above

The rope insert has been added to accent the crown molding on these Glazed Cherry cabinets.



## CROWN MOULDING

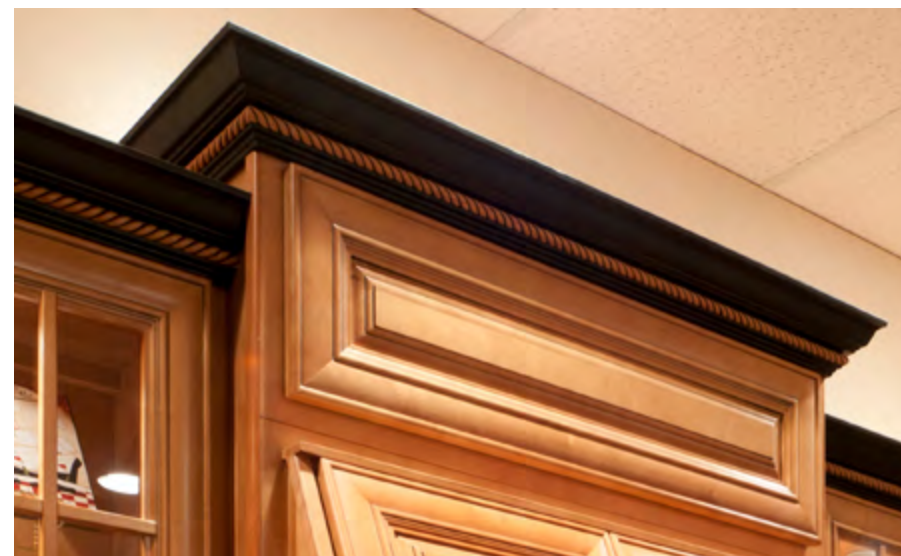
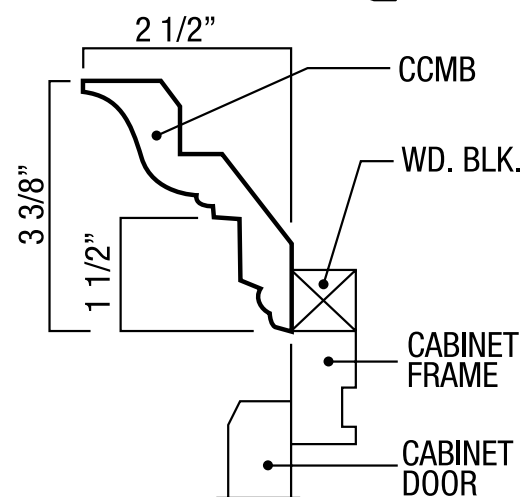
SKU: LCM8



### Specifications:

- » Sold in 8ft long sections.
- » Flat section to accommodate Rope insert.
- » When applying crown to full overlay cabinets a crown backer will be required.
- » For SKU ordering info see page 89

ASP	BC	HS	WPG	CH	WH	MO	PS	WS	YC	YCHR	ES
◆	◆	◆	◆	◆	◆	◆	◆	◆	◆	◆	◆



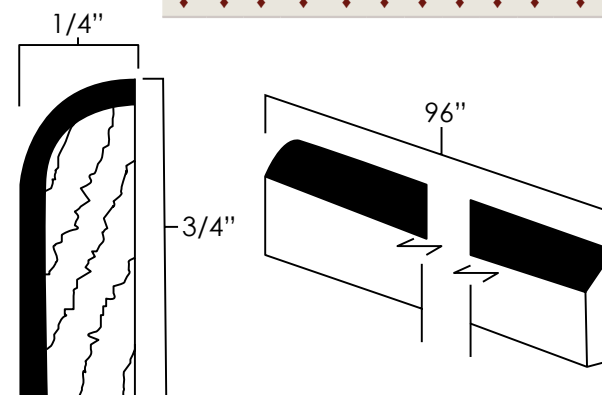
## SCRIBE MOULDING

SKU: SM8

### Specifications:

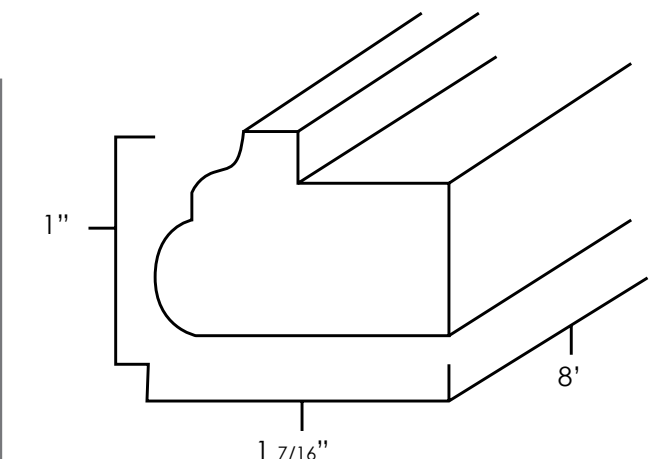
- » Sold in 8 ft long sections.
- » Use behind Light Rail Molding when wrapping around the side of a wall cabinet.
- » For SKU ordering info see page 89

ASP	BC	HS	WPG	CH	WH	MO	PS	WS	YC	YCHR	ES
◆	◆	◆	◆	◆	◆	◆	◆	◆	◆	◆	◆



## LIGHT RAIL MOULDING

SKU: LRM8



### Specifications:

- » Sold in 8 ft long sections.
- » For SKU ordering info see page 90

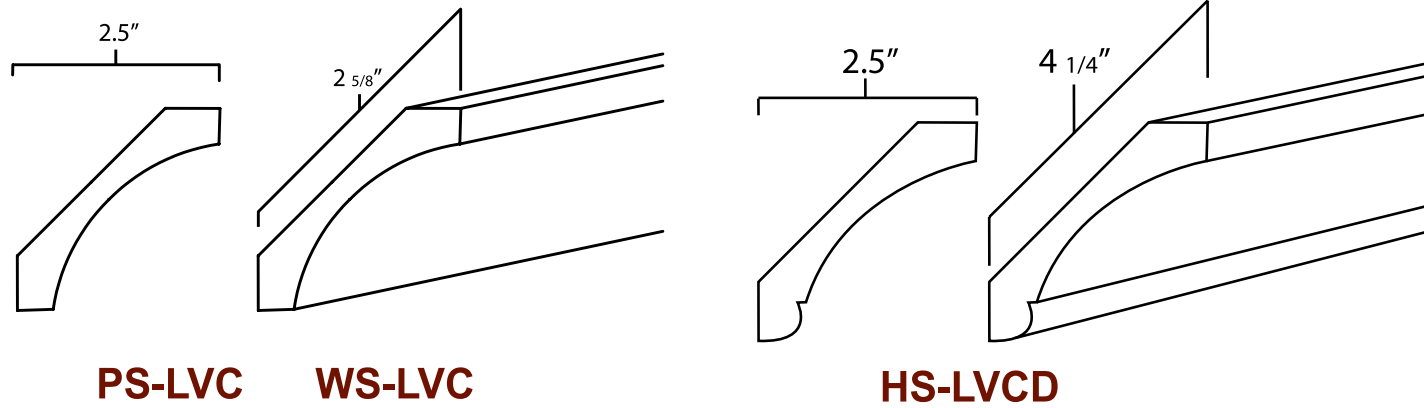
ASP	BC	HS	WPG	CH	WH	MO	PS	WS	YC	YCHR	ES
◆	◆	◆	◆	◆	◆	◆	◆	◆	◆	◆	◆



# Panels, Fillers & Trims

## COVE CROWN MOULDING

SKU: LVC LVCD



PS-LVC

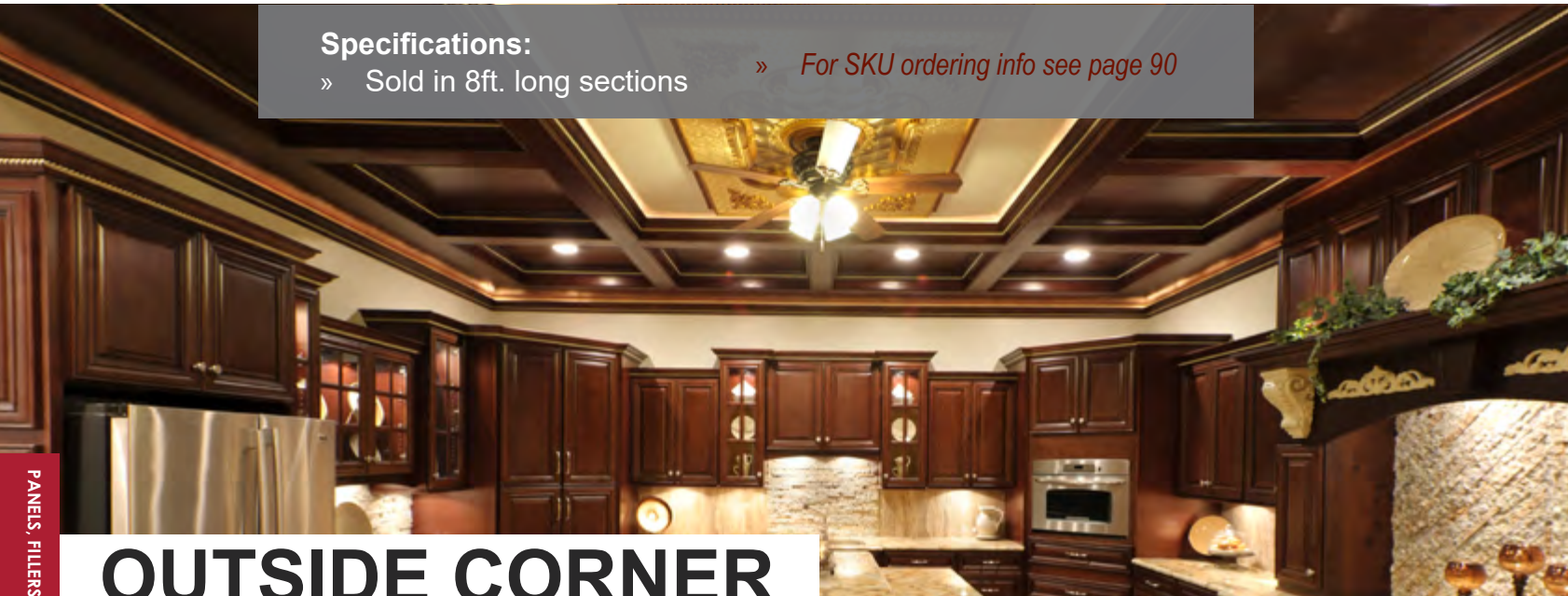
WS-LVC

HS-LVCD

**Specifications:**

» Sold in 8ft. long sections

» For SKU ordering info see page 90



## OUTSIDE CORNER MOULDING

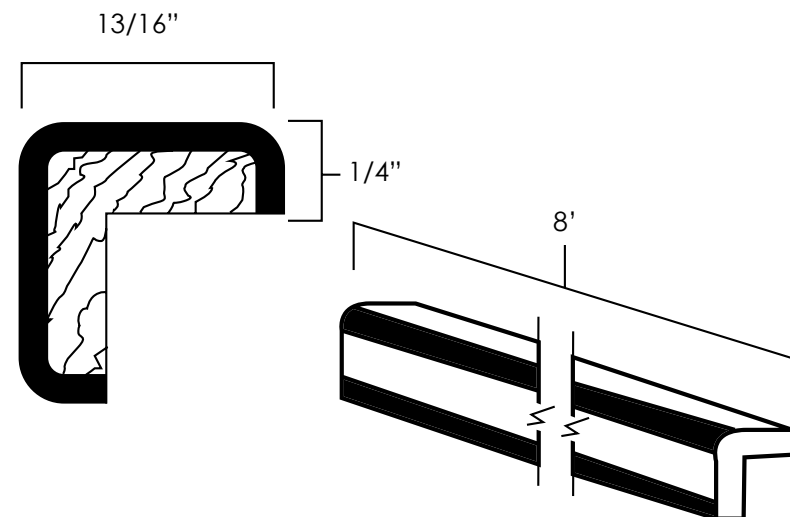
SKU: PCS8

**Specifications:**

» Sold in 8ft. long sections

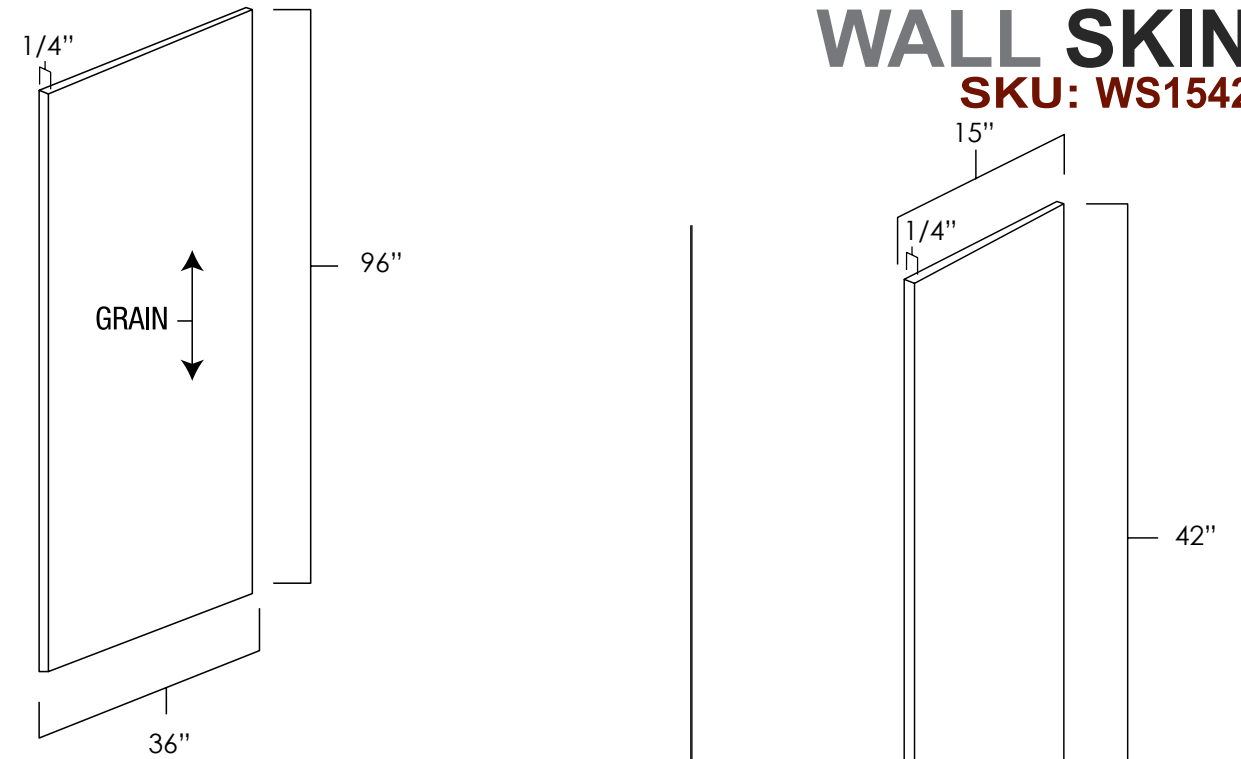
» For SKU ordering info see page 90

ASP	BC	HS	WPG	CH	WH	MO	PS	WS	YC	YCHR	ES
♦	♦	♦	♦	♦	♦	♦	♦	♦	♦	♦	♦



## WALL SKIN

SKU: WS1542



## STAINED PLYWOOD

**Specifications:**

» Sold in 8ft. long sections

» 1/4" thick.

» For SKU ordering info see page 90

ASP	BC	HS	WPG	CH	WH	MO	PS	WS	YC	YCHR	ES
♦	♦	♦	♦	♦	♦	♦	♦	♦	♦	♦	♦

SKU: SPW

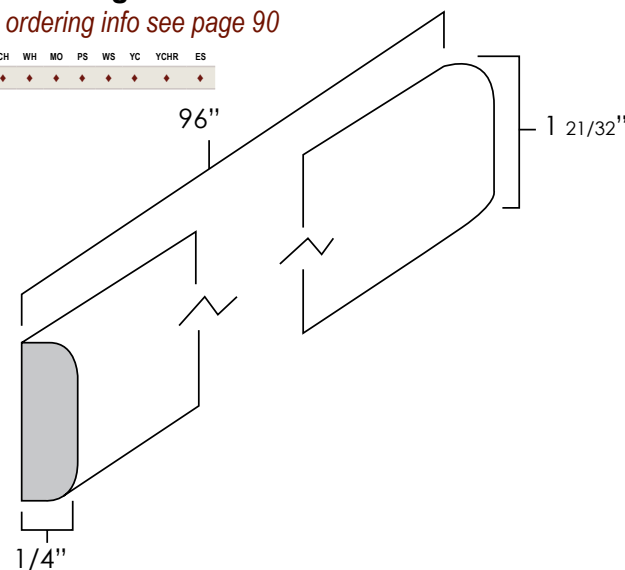
## BATTEN MOULDING

**Specifications:**

» Sold in 8ft. long sections

» For SKU ordering info see page 90

ASP	BC	HS	WPG	CH	WH	MO	PS	WS	YC	YCHR	ES
♦	♦	♦	♦	♦	♦	♦	♦	♦	♦	♦	♦



**Specifications:**

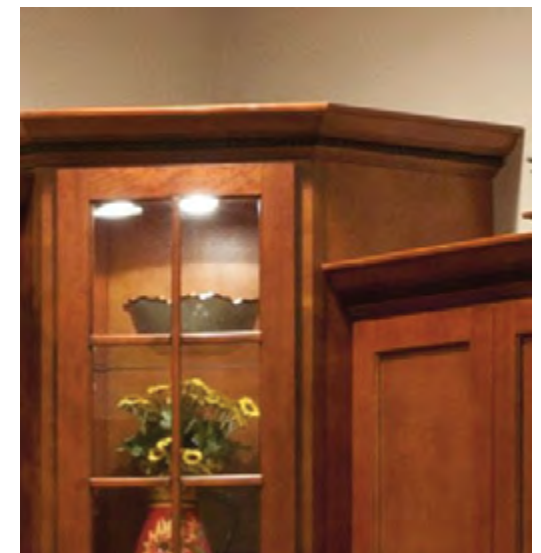
» 1/4" thick.

» Can be trimmed to desired height and/or width.

» For SKU ordering info see page 90

ASP	BC	HS	WPG	CH	WH	MO	PS	WS	YC	YCHR	ES
♦	♦	♦	♦	♦	♦	♦	♦	♦	♦	♦	♦

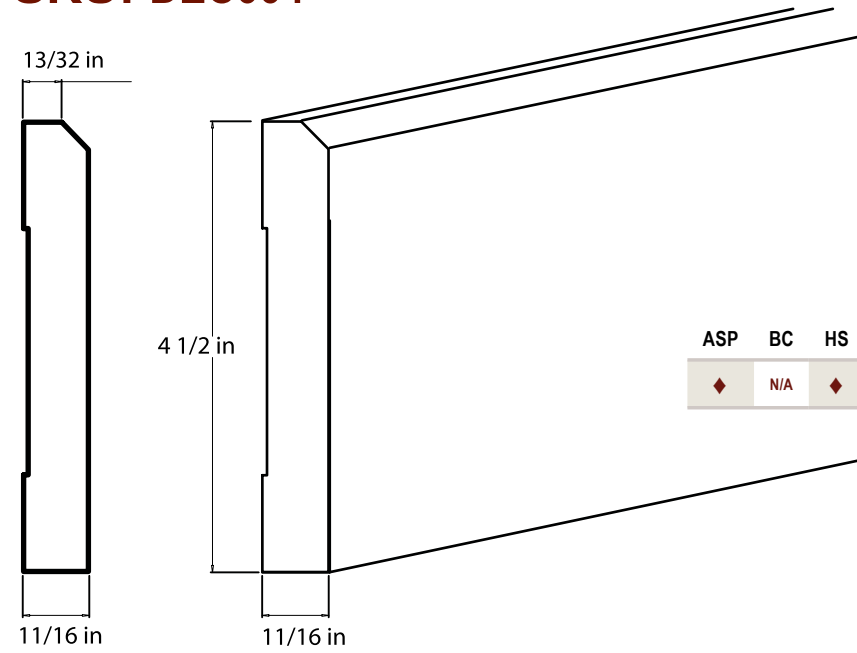
SKU: BM8





## DECORATIVE BASE MOULDING

SKU: DEC004



**Specifications:**

- » Sold in 8 ft long sections.
- » 4 1/2" inches tall.
- » 11/16 inch thick.
- » For SKU ordering info see page 90

ASP	BC	HS	WPG	CH	WH	MO	PS	WS	YC	YCHR	ES
◆	N/A	◆	◆	N/A	◆	N/A	◆	◆	N/A	N/A	N/A



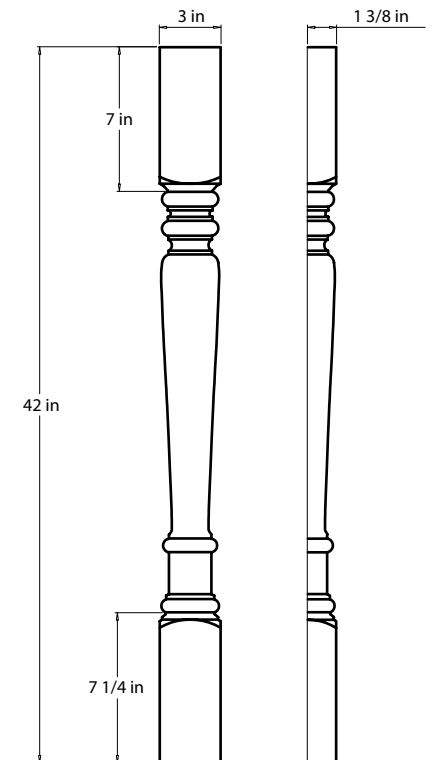
## SPLIT CORNER DECORATIVE LEG

SKU: SCDL

**Specifications:**

- » Sold in 42" long sections.
- » For SKU ordering info see page 90

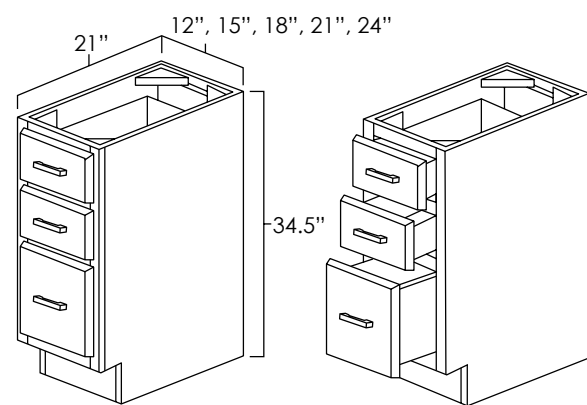
ASP	BC	HS	WPG	CH	WH	MO	PS	WS	YC	YCHR	ES
◆	N/A	◆	◆	N/A	◆	N/A	◆	◆	N/A	N/A	N/A





## VANITY DRAWERS BASE CABINETS

SKU: VDB1221 • VDB1521 • VDB1821 • VDB2121 • VDB2421



### Specifications:

- » Depth: 21"
- » All styles have one standard drawer on top and two deep drawers below.
- » All three drawers are fully functioning.
- » For SKU ordering info see page 91

SKU: VDB1221 • VDB1521 • VDB1821

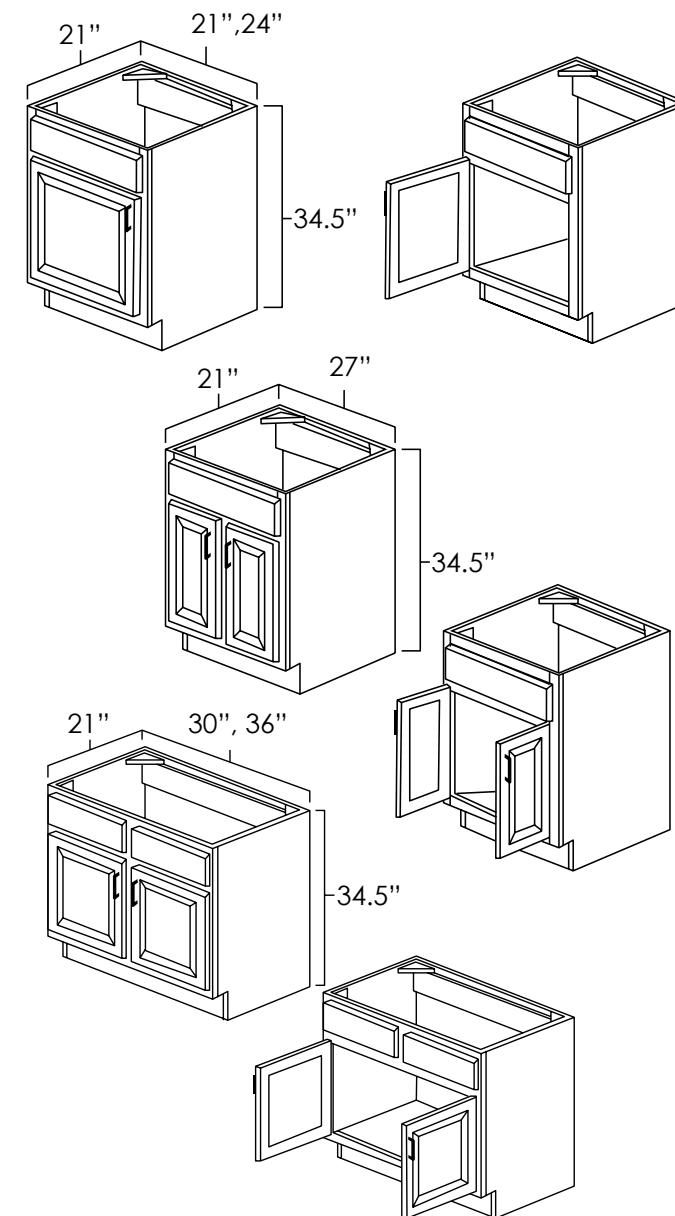
ASP	BC	HS	WPG	CH	WH	MO	PS	WS	YC	YCHR	ES
◆	◆	◆	◆	◆	◆	◆	◆	◆	◆	◆	◆

SKU: VDB2121 • VDB2421

ASP	BC	HS	WPG	CH	WH	MO	PS	WS	YC	YCHR	ES
◆	N/A	◆	◆	N/A	◆	N/A	◆	◆	N/A	N/A	N/A

## VANITY SINK BASE CABINETS

SKU: V2121 • V2421 • V2721 • V3021 • V3621



### Specifications:

- » There are no shelves or drawers in these cabinets
- » Butt doors on all three vanity sink bases
- » Depth: 21"
- » For SKU ordering info see page 91

SKU: V2121 • V2721

ASP	BC	HS	WPG	CH	WH	MO	PS	WS	YC	YCHR	ES
◆	N/A	◆	◆	N/A	◆	N/A	◆	◆	N/A	N/A	N/A

SKU: V2421 • V3021 • V3621

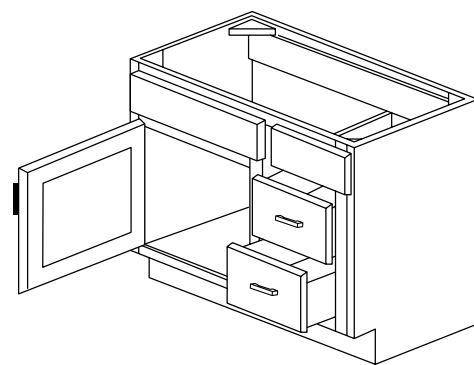
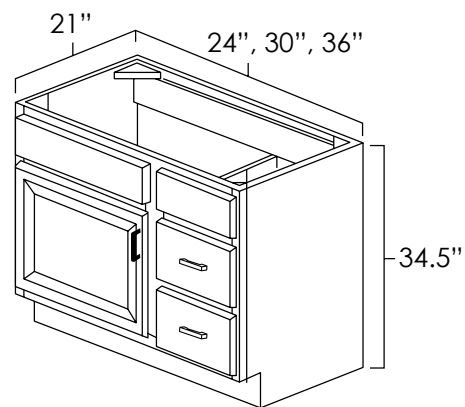
ASP	BC	HS	WPG	CH	WH	MO	PS	WS	YC	YCHR	ES
◆	◆	◆	◆	◆	◆	◆	◆	◆	◆	◆	◆



# Vanities

## SINGLE DOOR VANITY CABINETS

SKU: V2421DL • V2421DR • V3021DL • V3021DR • V3621DL • V3621DR



### Specifications:

- » Depth: 21".
- » There are no shelves in these cabinets.
- » Only the bottom two drawers are functioning.
- » All styles have one standard false drawer front on top and two deep drawers below.
- » **WHEN INDICATING RIGHT (R) or LEFT (L), IT CORRESPONDS TO THE SIDE THE DRAWERS ARE ON WHILE LOOKING AT IT**
- » For SKU ordering info see page 91

SKU: V2421DL • V2421DR

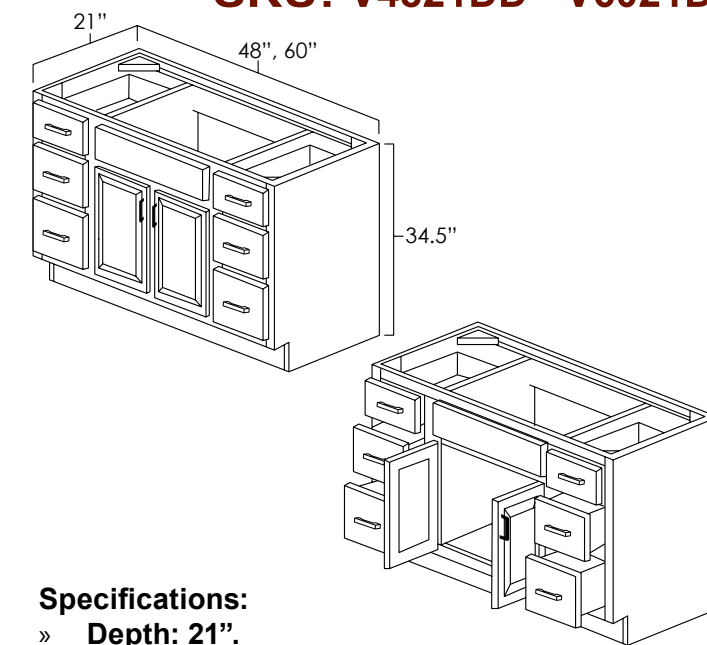
ASP	BC	HS	WPG	CH	WH	MO	PS	WS	YC	YCHR	ES
◆	N/A	◆	◆	N/A	◆	N/A	◆	◆	N/A	N/A	N/A

SKU: V3021DL • V3021DR • V3621DL • V3621DR

ASP	BC	HS	WPG	CH	WH	MO	PS	WS	YC	YCHR	ES
◆	◆	◆	◆	◆	◆	◆	◆	◆	◆	◆	◆

## DOUBLE DOOR VANITY CABINETS

SKU: V4821DD • V6021DD



### Specifications:

- » Depth: 21".
- » There are no shelves in these cabinets.
- » All six drawers are fully functioning.
- » All styles have two standard drawers on top and four deep drawers below.
- » Butt doors on both vanity combinations.
- » For SKU ordering info see page 91

SKU: V4821DD

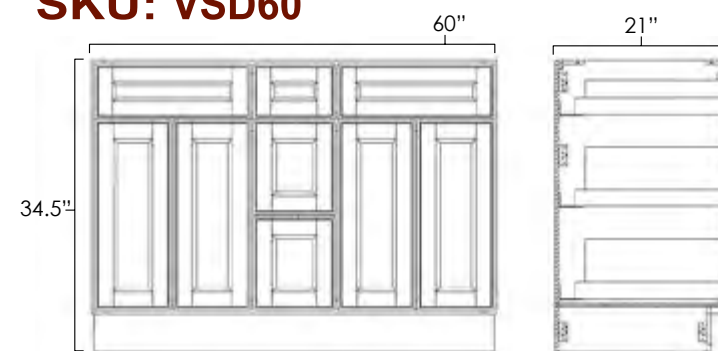
ASP	BC	HS	WPG	CH	WH	MO	PS	WS	YC	YCHR	ES
◆	◆	◆	◆	◆	◆	◆	◆	◆	◆	◆	◆

SKU: V6021DD

ASP	BC	HS	WPG	CH	WH	MO	PS	WS	YC	YCHR	ES
◆	◆	◆	◆	◆	◆	◆	◆	◆	◆	◆	N/A

## DOUBLE SINK VANITY CABINETS

SKU: VSD60



» For SKU ordering info see page 91

ASP	BC	HS	WPG	CH	WH	MO	PS	WS	YC	YCHR	ES
◆	N/A	◆	◆	N/A	◆	N/A	◆	◆	N/A	N/A	N/A



## TOUCH-UP KITS

SKU: TUK

Included In Kit:

- » One Wax Putty Stick
- » One Touch-Up Marker
- » For SKU ordering info see page 92



## DISPLAY/SAMPLE DOORS

SKU: DD



ASP



BC



HS



WPG



CH



WH



MO



PS



WS



YC

### COLOR KEY

Aspen White = ASP	Bristol Chocolate = BC
Hickory Shaker = HS	West Point Grey = WPG
Glazed Cherry = CH	Heritage White = WH
Glazed Mocha = MO	Platinum Shaker = PS
White Shaker = WS	York Coffee = YC
York Cherry = YCHR	Espresso Shaker = ES

» For SKU ordering info see page 92



YCHR



ES

